

REV	ZONE	DESCRIPTION	DRAWN	APPRVD	DATE

A

B

C

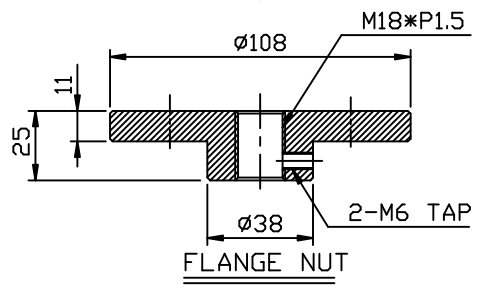
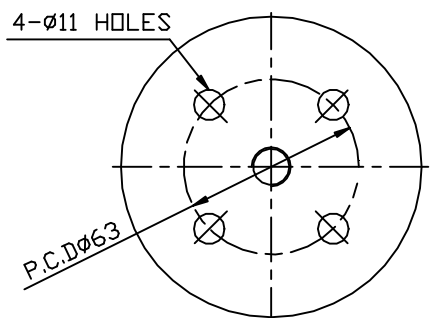
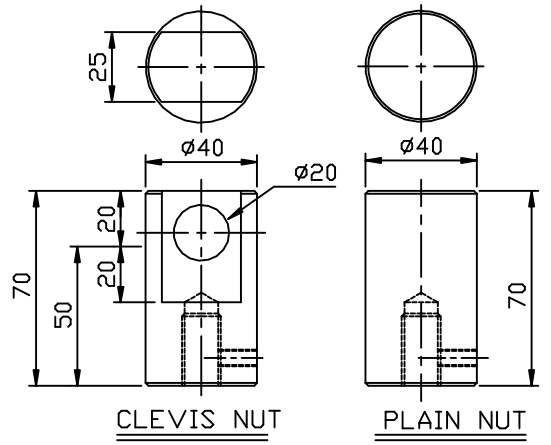
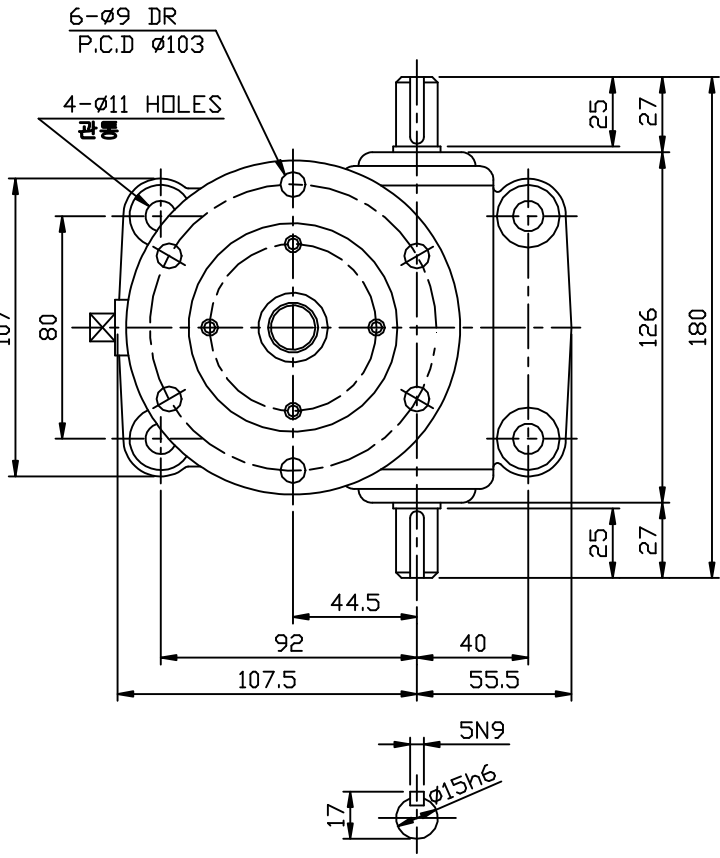
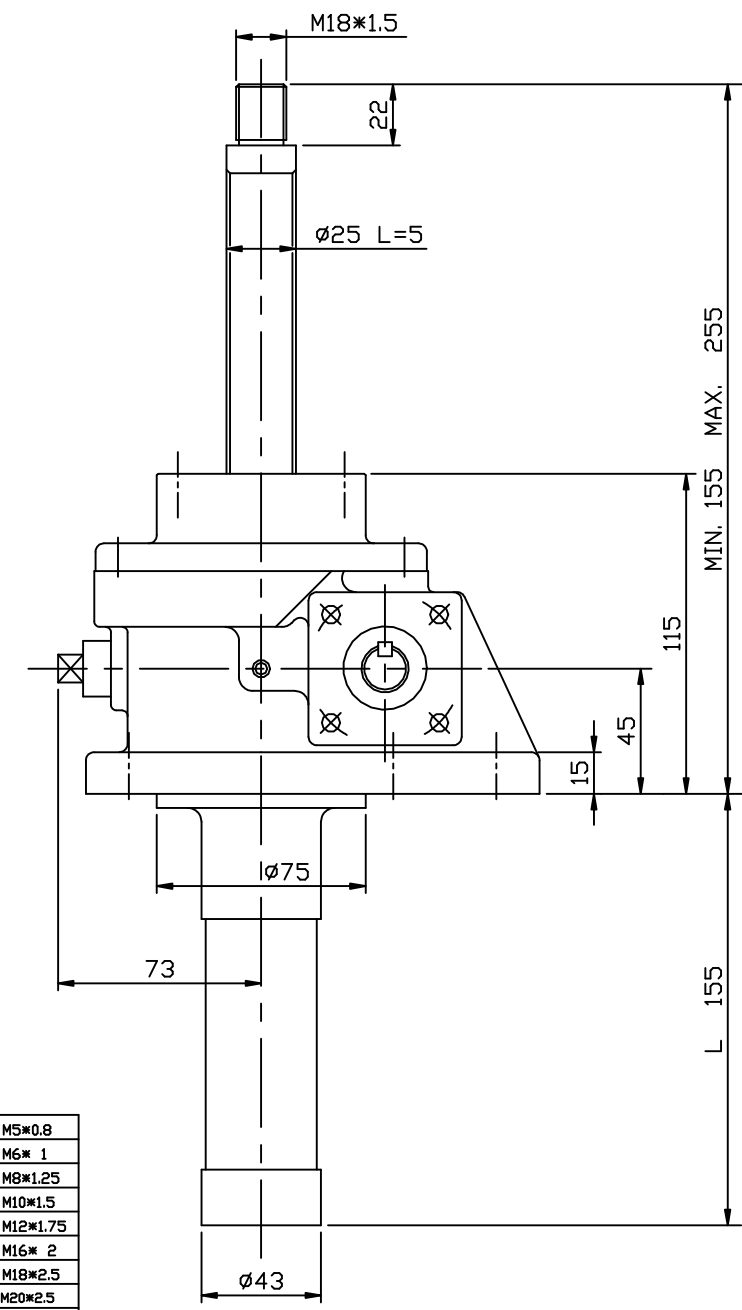
D

A

B

C

D



M5*0.8
M6* 1
M8*1.25
M10*1.5
M12*1.75
M16* 2
M18*2.5
M20*2.5
M22*2.5
M24*3

NO	PART NO.	NAME	DATE	SCALE	TITLE	SHEET
1	SJ-44-HUN-1	SCREW JACK		1	MAX SCREW JACK	1
				2	44형	1
CHAMFER: C1.0 30 - 120:±0.15 FILLET: R 1.0 120 - 315:±0.2 마무리: ▽ 315 - 1000:±0.3 1000 이상:±0.5				DWG SIZE	DWG. NO.	REV
<b>SAMYANG</b> REDUCTION GEARS CO., LTD				A3	SJ-44-HUN	