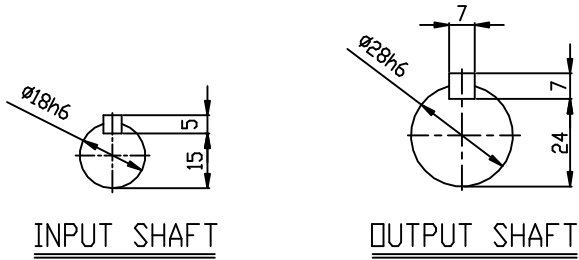
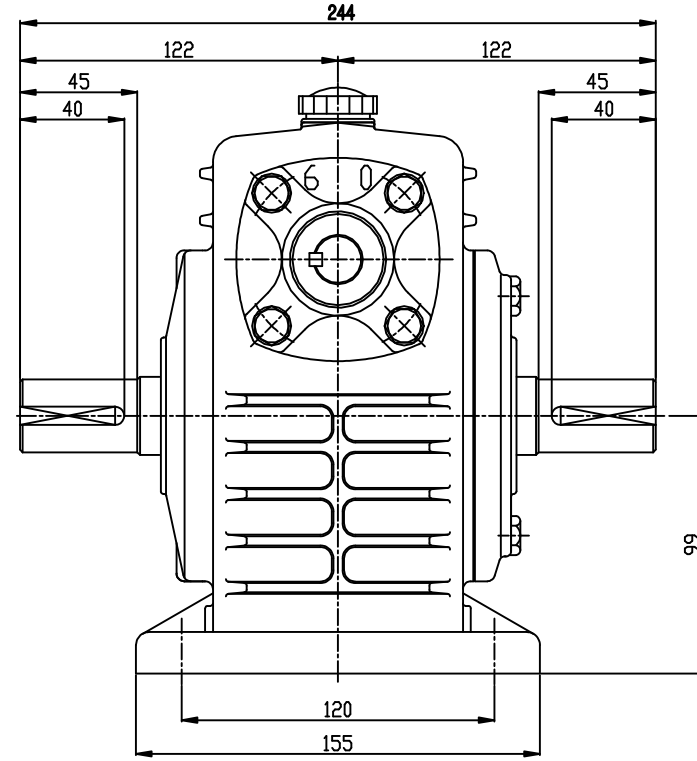
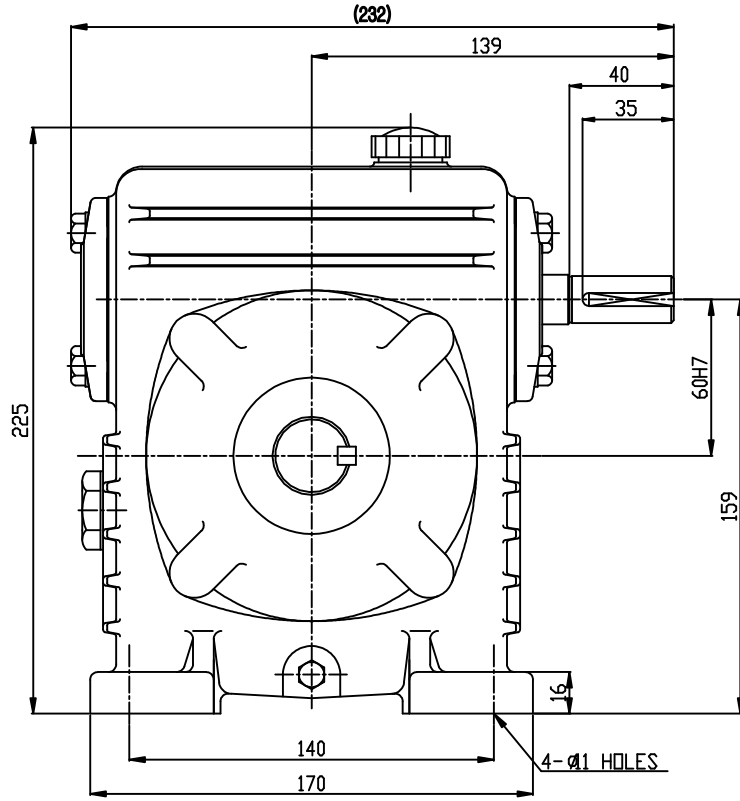


REV	ZONE	DESCRIPTIONS	DRAWN	APPRVD	DATE



M5*0.8
M6* 1
M8*1.25
M10*1.5
M12*1.75
M16* 2
M18*2.5
M20*2.5
M22*2.5
M24*3

표기의 일반 공차	
각도 : ±0.2°	6 - 30 : ±0.1
숫자: C1.0	30 - 120 : ±0.15
FILLET: R1.0	120 - 315 : ±0.2
마무리: ▽	315 - 1000 : ±0.3
	1000 이상 : ±0.5

NO	NAME	DATE	SCALE	TITLE
			1/1	OUTLINE DWG.
CHECKED				STANDARD WORM REDUCER WU60
APPROVED				i=1/10~1/60 C-TYPE
SAMYANG REDUCTION GEARS CO., LTD			DWG SIZE	DWG. NO.
			A1	SYWU60

NO	PART NUMBER	DESCRIPTIONS	QTY	MATERIAL

SHEET	1/1
REV	

