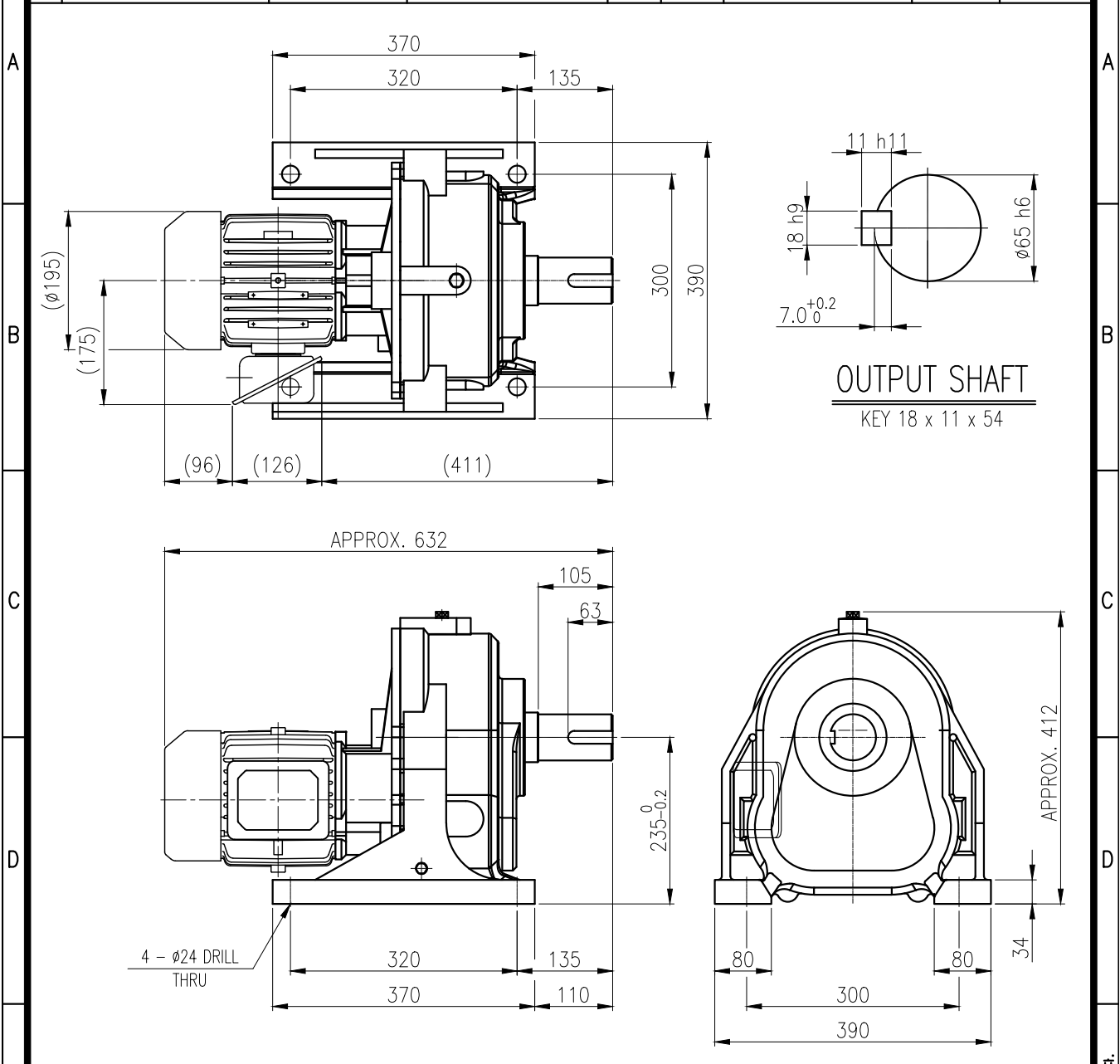


1	2	3	4	5
---	---	---	---	---

No.	NAME	MATERIAL	DWG/MATL No.	CODE	Q'TY	SIZE	WEIGHT	REMARK
					0			



		BEARING			
OIL SEAL		INPUT SHAFT	6204ZZ	6205ZZ	
MOTOR SHAFT	D(M) 25 x 38 x 8	2ND PINION	6204ZZ	6205ZZ	GREASE : NLGI(EP)00
OUTPUT SHAFT	D(M) 70 x 95 x 13	3RD PINION	6207ZZ	6309ZZ	ABOUT 2.3 kg
		OUTPUT SHAFT	PM5060	22214	WEIGHT 124 kg

		외형도 OUTLINE DIMENSION			
		DWG No. EK2D007674H0001		UNIT	mm
				SCALE	1:1
No.	DATE	DESCRIPTION of REVISION			
A4(210x297mm)	FORM CE-14-0100-4A4 2013.11.20				
TYPE					
REF. No.		-			
		(A)			

이 도면상에 표시된 정보는 호성중공업(주)의 소유이며, 당사의 사전 서면동의 없이 무단사용을 금합니다.

The information written in this drawing is HYOSUNG HEAVY INDUSTRIES's property, and may not be disclosed and/or reproduced without the prior official permission of HYOSUNG HEAVY INDUSTRIES Corp.