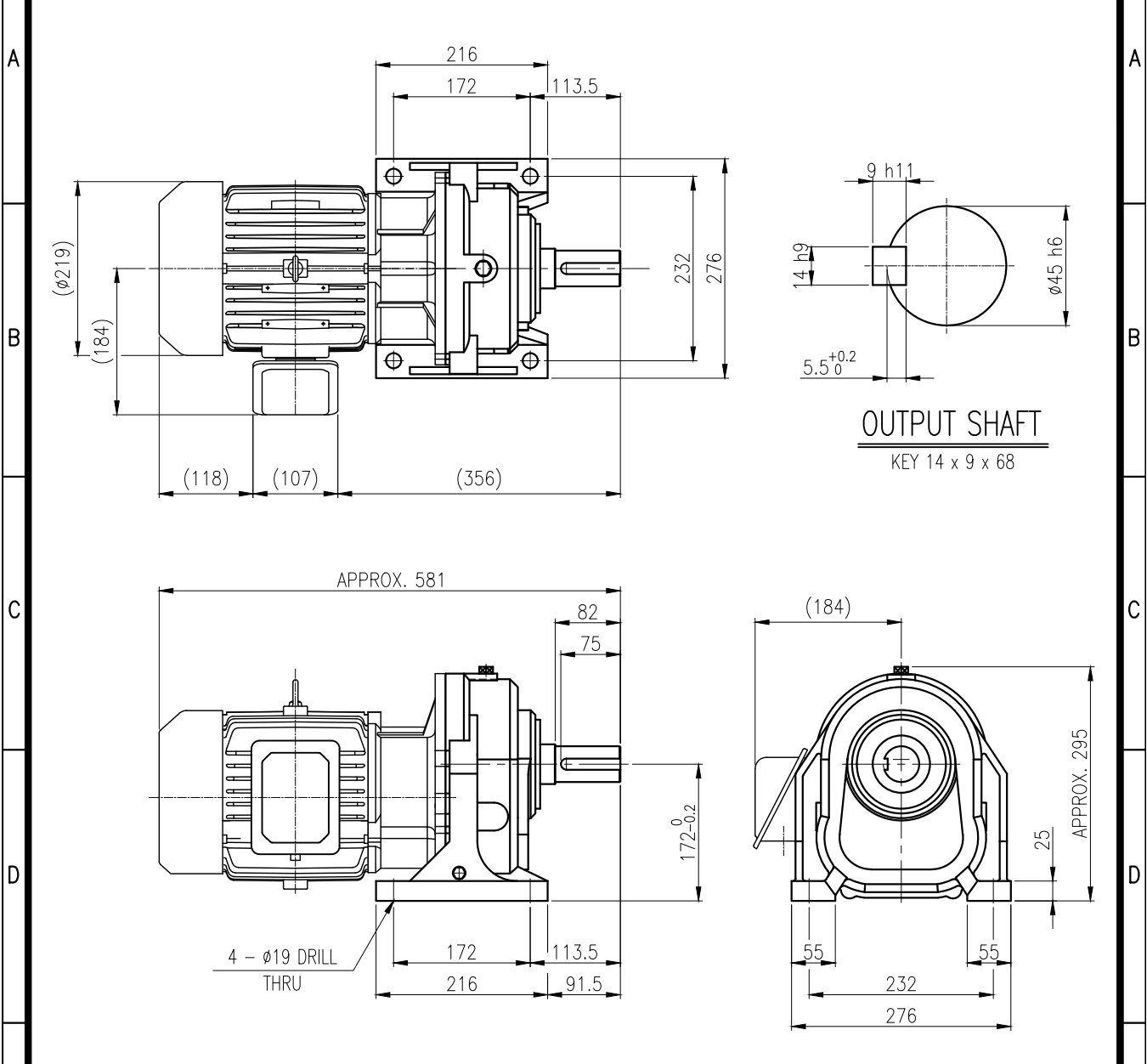


	1	2	3	4	5			
No.	NAME	MATERIAL	DWG/MATL No.	CODE	Q'TY	SIZE	WEIGHT	REMARK
					0			



OUTPUT SHAFT
KEY 14 x 9 x 68

		BEARING			
		INPUT SHAFT	6205ZZ 6207ZZ		
OIL SEAL		2ND PINION	6205ZZ 6305ZZ	GREASE : NLGI(EP)00	
MOTOR SHAFT	D(M) 35 x 47 x 7	3RD PINION	- -	ABOUT	1.0 kg
OUTPUT SHAFT	D(M) 50 x 72 x 12	OUTPUT SHAFT	PM3530 6310ZZ	WEIGHT	73 kg

		DWG NAME		외형도 OUTLINE DIMAENSION					
		DWG No.		UNIT	mm				
		EK2D007666H0001		SCALE	1:1				
No.	DATE	DESCRIPTION of REVISION		DESIGNED	CHECKED	REVIEWED	APPROVED	DATE	2019-01-21
A4(210x297mm)	FORM CE-14-0100-444 2013.11.20			2019.01.21	2019.01.21	2019.01.21	2019.01.21	REVISION No.	01
TYPE				F1HM_17_2.2kW_5~30:1_프리미엄		하슬기	문병선	박희성	홍원철
		REF. No.							(A)

The information written in this drawing is HYOSUNG HEAVY INDUSTRIES's property, and may not be disclosed and/or reproduced without the prior official permission of HYOSUNG HEAVY INDUSTRIES Corp.

이 도면상에 표시된 정보는 호성중공업(주)의 소유이며, 당사의 사전 서면동의 없이 무단사용을 금합니다.