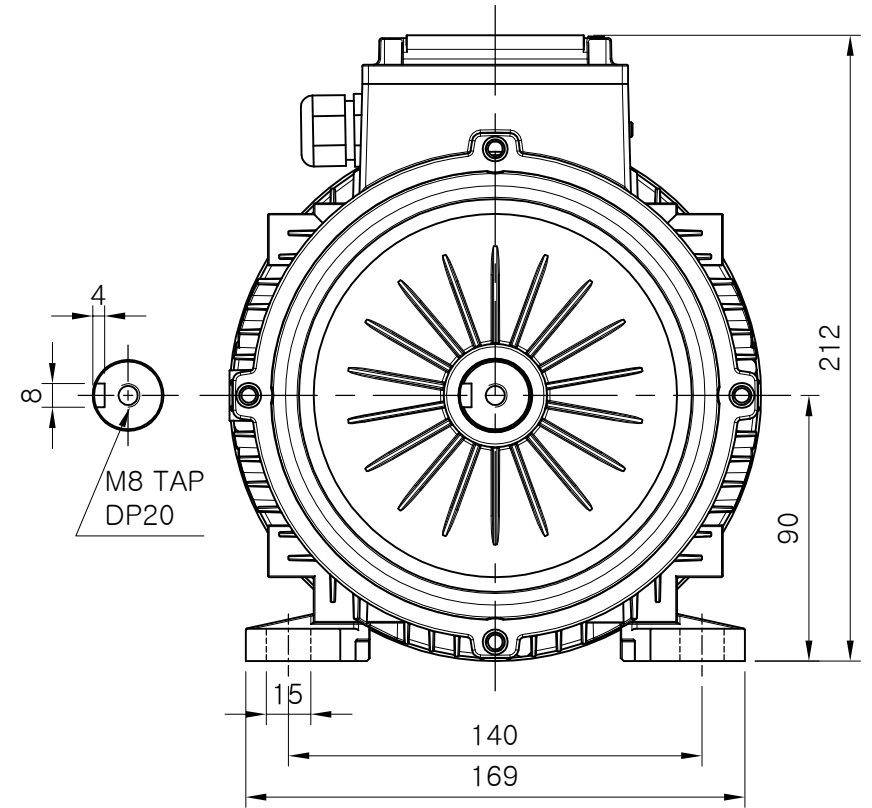
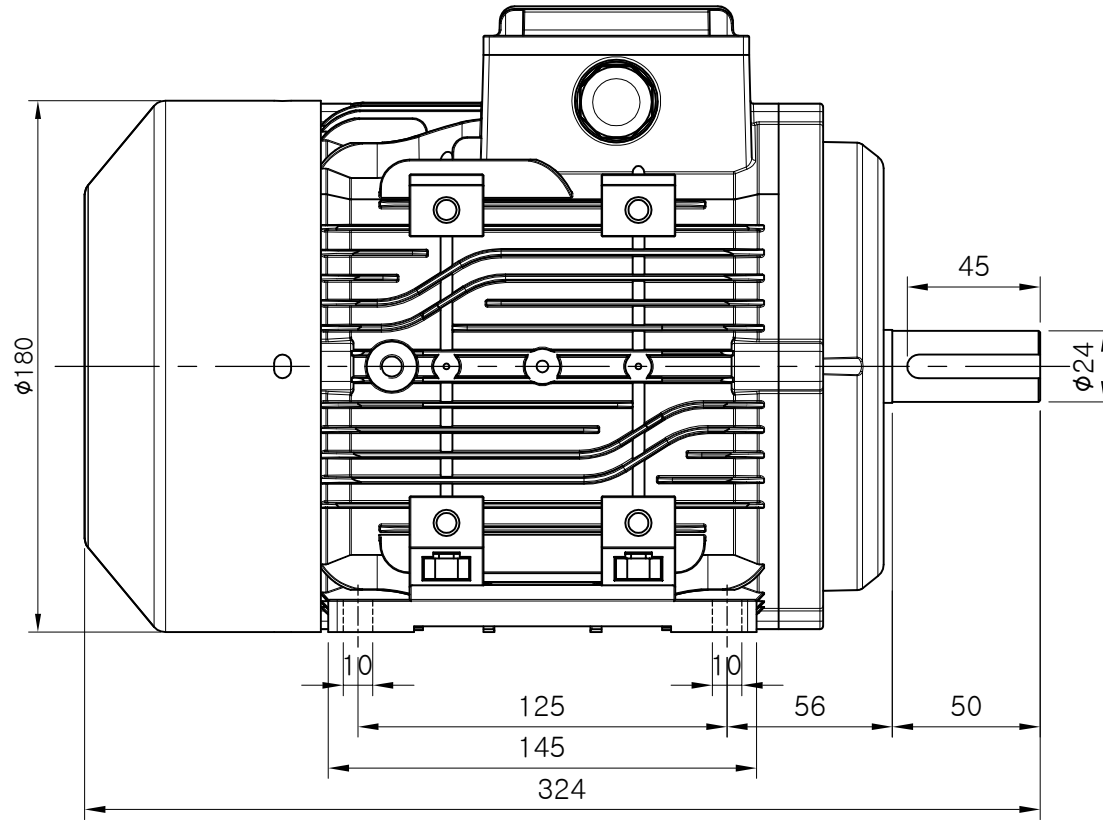


CUSTOMER
IE3 3Ø 2.2KW(3HP) 2P B3

No.	Description of Revision	Date	Name	Approval
△ X				

2023.02.02



※ NOTE ※
1. 케이블 그랜드 : PG13.5

DRAWING	KIM S. C	DATE	3RD ANGLE PROJECTION	Title
DESIGNED		2023.02.02		B3 3Ø 3HP 2P Premium
CHECKED		SCALE	UNIT	Drawing No.
APPROVED		1/1	MM	IE3 B3-303.02A
				SHEET
				1 / 1

	IK ELECTRIC CO., LTD.	Model No.	REV.
		IKM-222P	0

This drawing contains information that is proprietary to IK Electric Co.,Ltd
And should not be used without written permission.