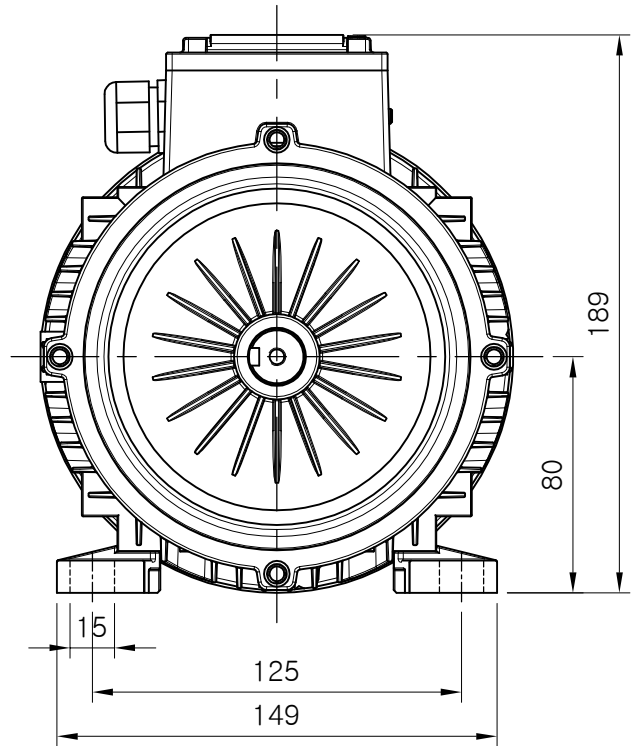
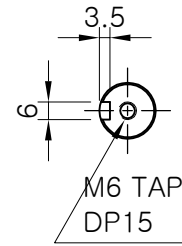
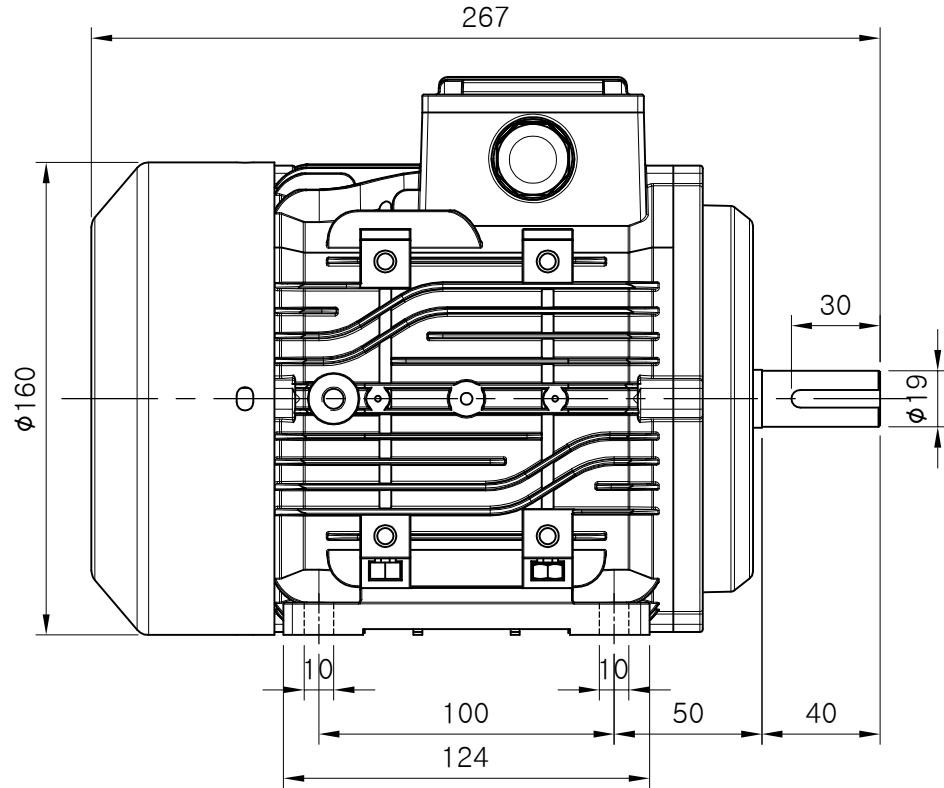


CUSTOMER  
IE3 3Ø 0.75KW(1HP) 4P B3

No.	Description of Revision	Date	Name	Approval
△ X				

2023.02.01



※ NOTE ※

1. 케이블 그랜드 : PG13.5

DRAWING	KIM S.C	DATE	2023.02.01	3RD ANGLE PROJECTION	 Title B3 3Ø 1HP 4P Drawing No. IE3 B3-301.04A Model No. IKM-0754P REV. 0
DESIGNED		SCALE	UNIT	SHEET	
CHECKED		1/1	MM	1 / 1	
APPROVED					

IK ELECTRIC CO., LTD.

This drawing contains information that is proprietary to IK Electric Co.,Ltd  
And should not be used without written permission.