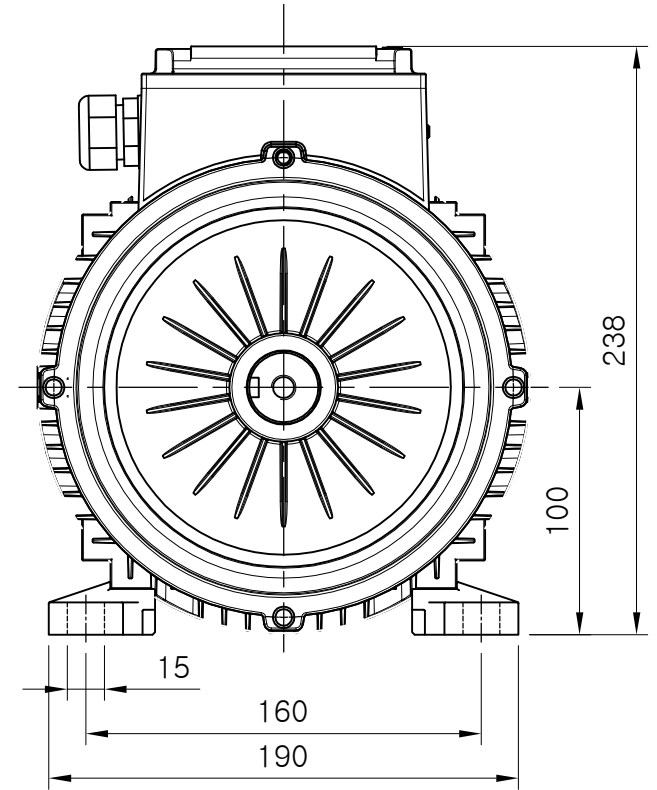
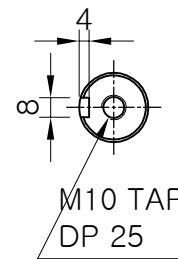
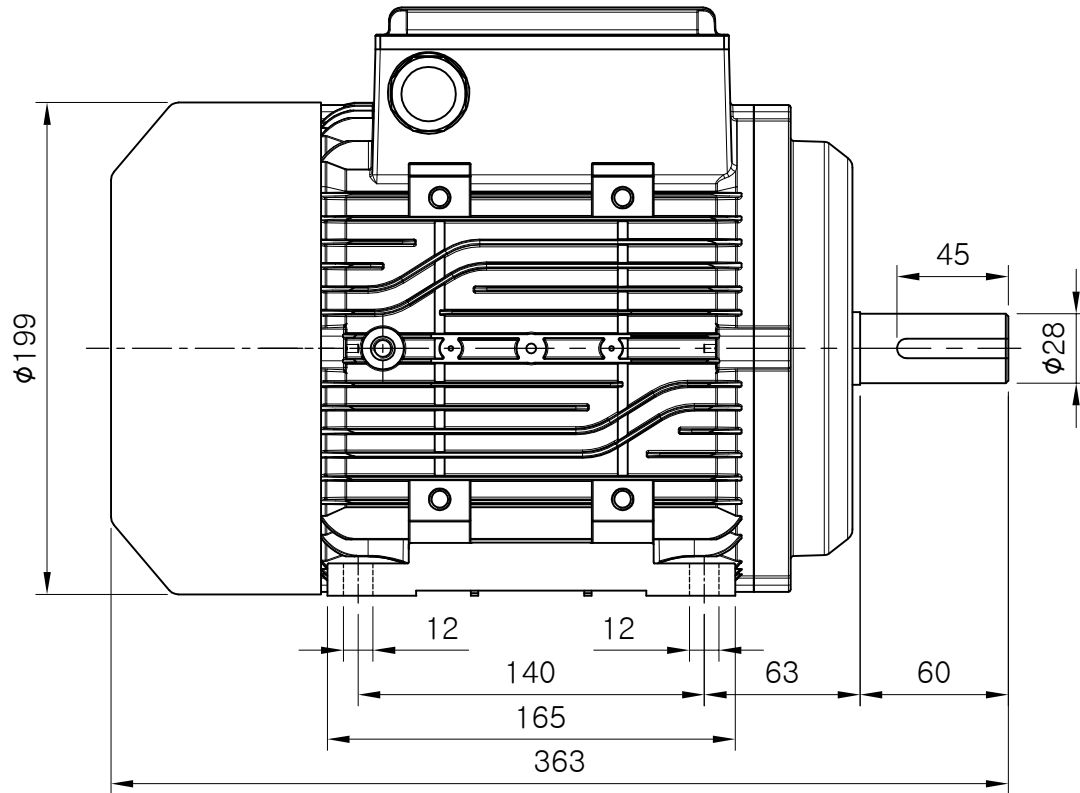


CUSTOMER
IE1 1Ø 2.2KW(3HP) 4P B3

| No. | Description of Revision | Date | Name | Approval |
|-----|-------------------------|------|------|----------|
| △ X | | | | |

2023.02.06



※ NOTE ※
1. 케이블 그랜드 : PG16

| | | | | |
|----------|----------|------------|----------------------|----------------------|
| DRAWING | KIM S. C | DATE | 3RD ANGLE PROJECTION | Title |
| DESIGNED | | 2023.02.06 | | B3 1Ø 3HP 4P Premium |
| CHECKED | | SCALE | UNIT | Drawing No. |
| APPROVED | | 1/1 | MM | IE1 B3-103.04A |
| | | | | Model No. |
| | | | | IKS-2204P |
| | | | | REV. |
| | | | | 0 |

IK ELECTRIC CO., LTD.

This drawing contains information that is proprietary to IK Electric Co.,Ltd
And should not be used without written permission.