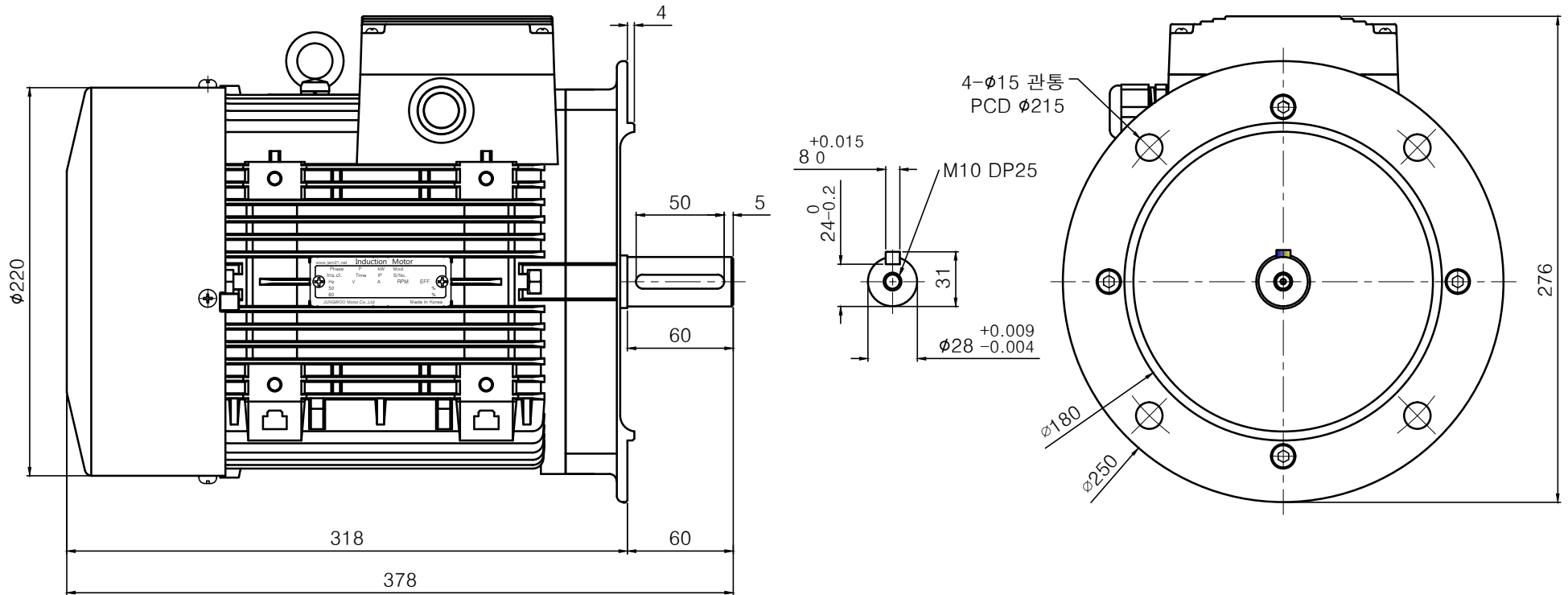


표준 IE3 삼상 B5 - FF215 (112M)

CODE No

Model No	Out Put (kW)				Volt	Hz	IP	Ins cl.	Time	Bearing		Type
	2P	4P	6P	8P						DE	ODE	
		3.7					55	F	S1	6206ZZ	6205ZZ	TEFC



STYLE	3rd Angle	TITLE	Induction Motor Out Line
UNIT	MM	 정우전기 (주)	
SCALE	1 : 1.6		
DATE	2023.07.03		
DSND BY	KOH.Y.K		