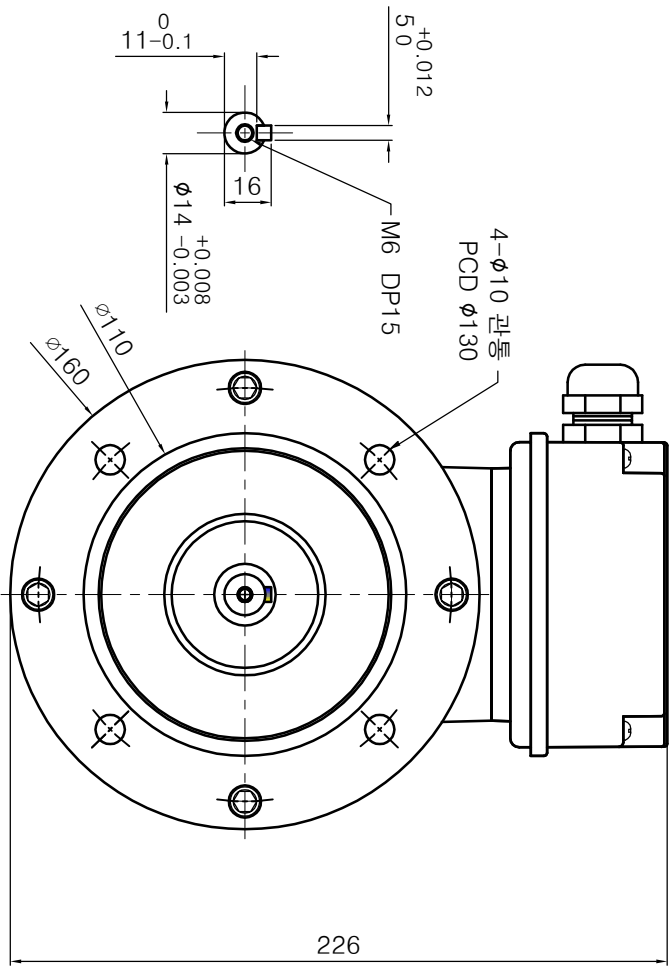
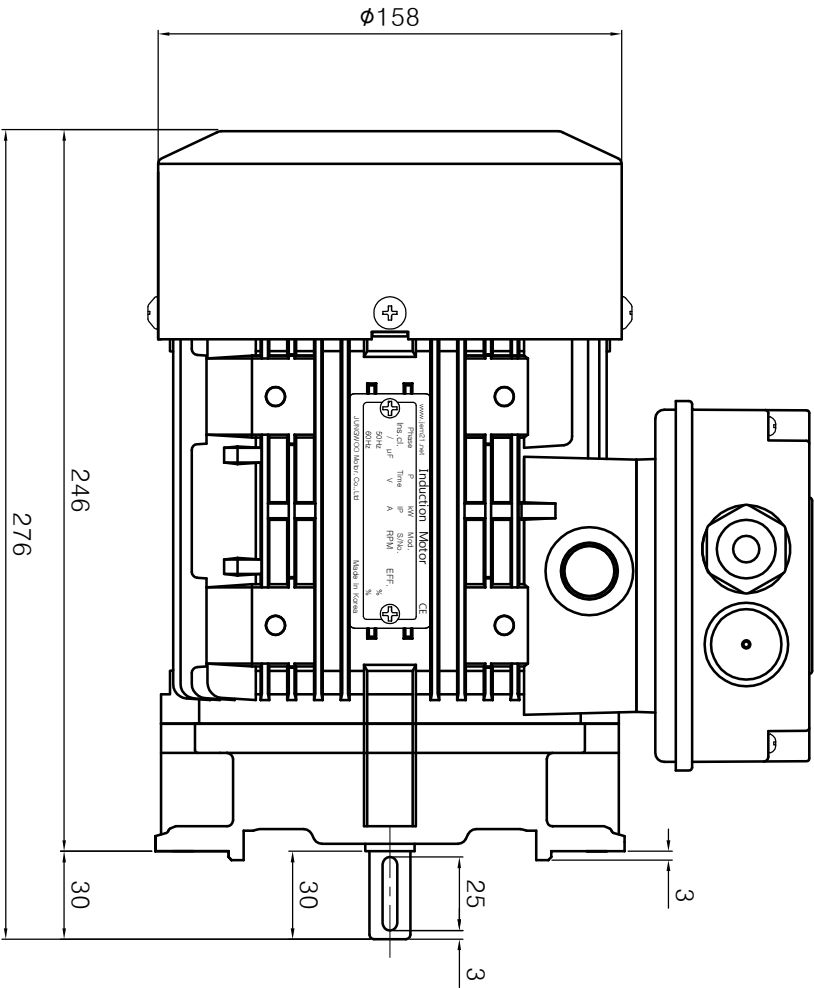



표준 단상 B5 운전형 - FF130(80M-V02)

CODE No

Model No	Out Put (kW)			Volt	Hz	IP	Ins cl.	Time	Bearing		Type
	2P	4P	6P						8P	DE	
		0.4				54	B	S1	6204ZZ	6203ZZ	TEFC



STYLE	3rd Angle	TITLE	Induction Motor Out Line
UNIT	MM		
SCALE	1 : 1.25		
DATE	2020.05.21		
DSND BY	MIN.B.W		

 정우전기 (주)