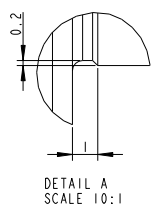
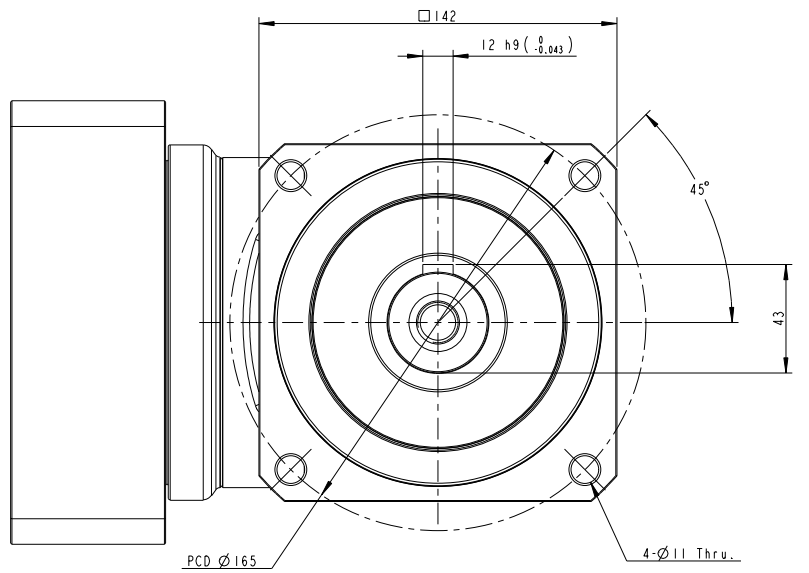
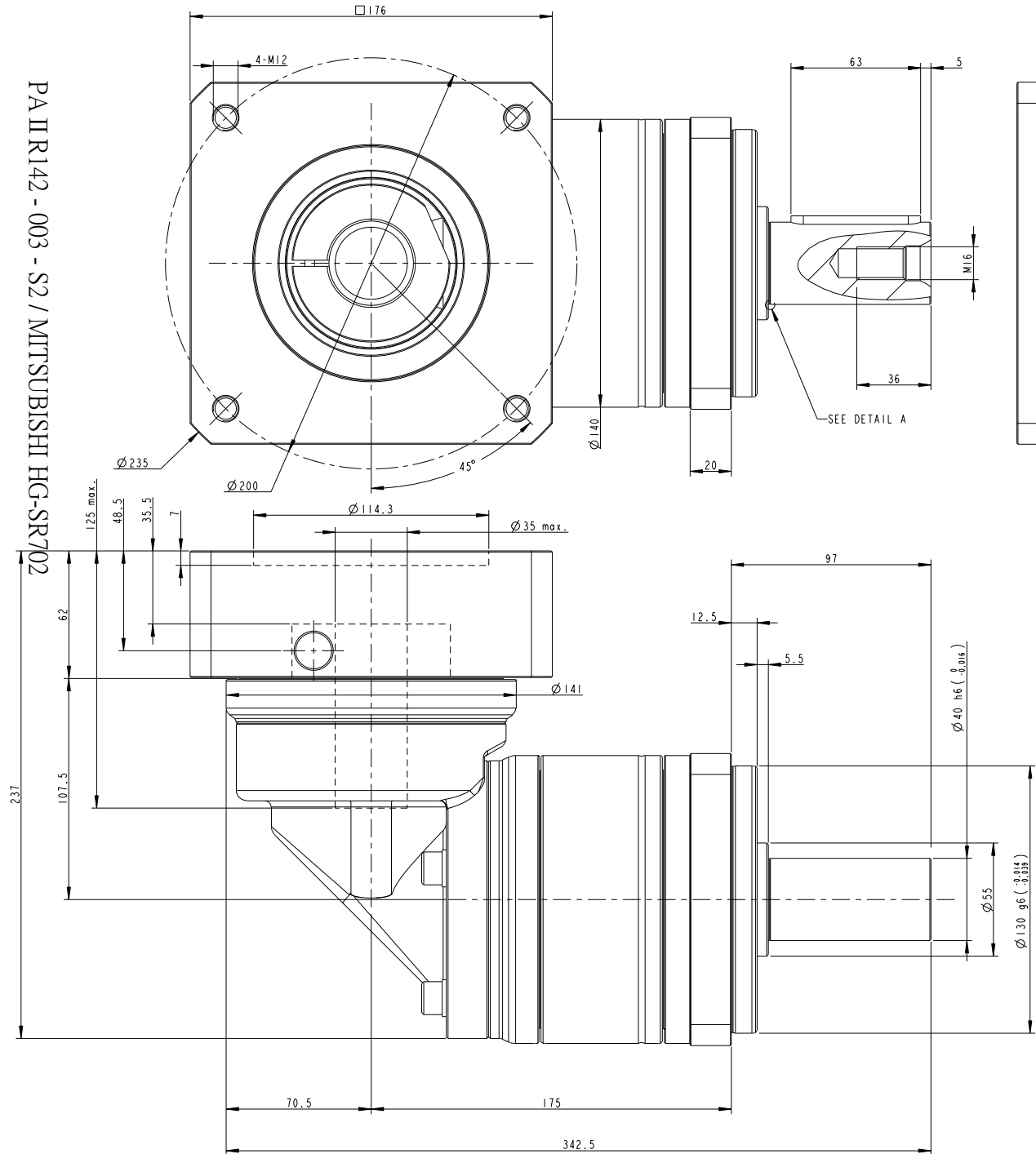

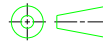


PA2R142-003-S2 / MITSUBISHI HG-SR702



INERTIA: 18.74 kg-cm²
 MASS: 17.4 Kg

PART NO. PA2R-142-1ST_35-P0411800501 AD-PE2-S35-M176-1			
APPROVALS	DATE	TITLE PA2R-142-1 Stage_S35 , RATIO= 3-10 AND MOTOR FLANGE MOUNTING	
DRAWN 蔡璋佳		DWG NO. PA2R-142-1ST_35-P0411800501	
CHECKED			
APPROVED		 SIZE A1	SCALE 1 : 1
			REV