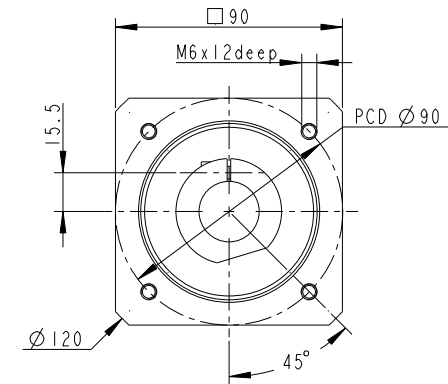
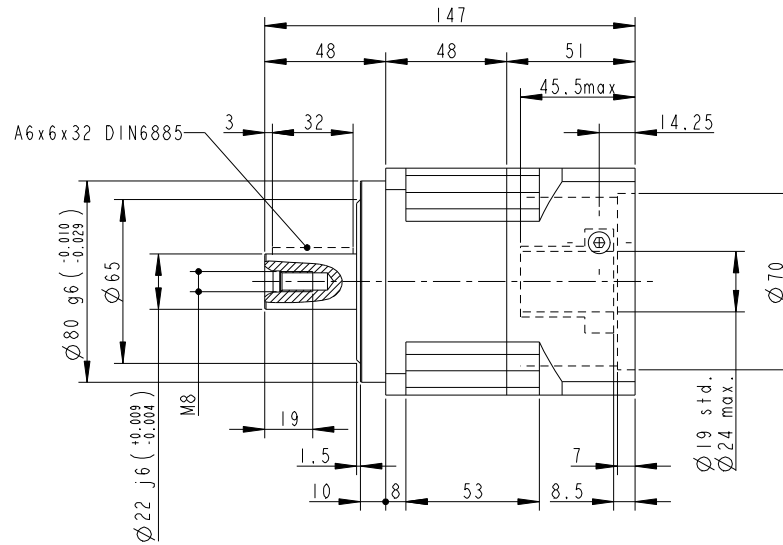
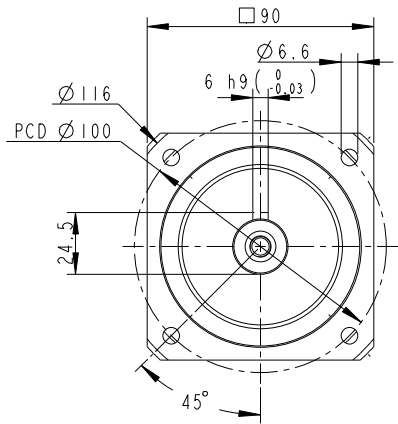


AB090 - 003 - S2 - P2 / MITSUBISHI HG-MR73



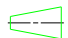


INERTIA: 0.44-0.61kg-cm²
 MASS: 3.7kg

SHAFT OPTION S1: SMOOTH OUTPUT SHAFT(STANDARD)
 SHAFT OPTION S2: OUTPUT SHAFT WITH KEYWAY
 MICRO BACKLASH<= 1 arcmin
 REDUCED BACKLASH<= 3 arcmin
 STANDARD BACKLASH<= 5 arcmin

BUSHING SUPPLIED WHEN MOTOR SHAFT DIAMETER SMALL THAN Ø24

Old Part No. AB0901-P4030105

PART NO. AB0901-P0401300305 AB090-1, AD-W90-M90-5		 APEX DYNAMICS, INC.			
APPROVALS	DATE	TITLE AB090 1 STAGE, RATIO= 3-10 AND MOTOR FLANGE MOUNTING			
DRAWN 江淑惠					
CHECKED		DWG NO. AB0901-P0401300305			
APPROVED		 	SIZE A1	SCALE 1:1	REV 2.0