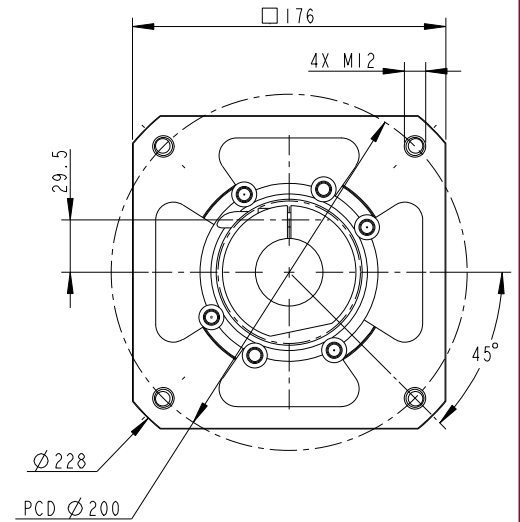
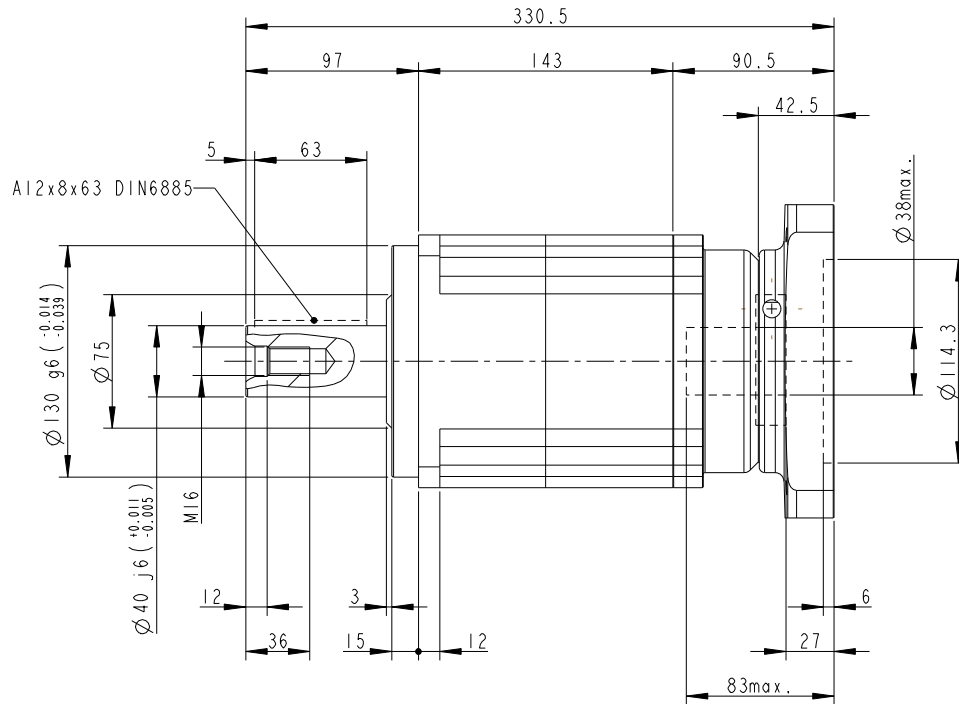
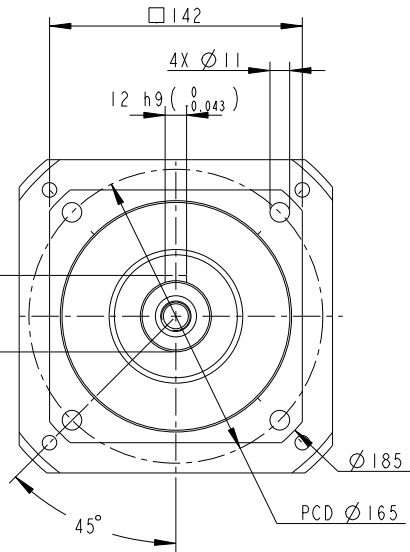

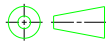


ABI42A - 012 - S2 - P2 / MITSUBISHI HG-SR502



PART NO. ABI42A2-P0403500801 ABI42A-2, AD-P140-M176-1		 APEX DYNAMICS, INC.	
APPROVALS	DATE	TITLE ABI42A 2 STAGE, RATIO= 12-100 AND MOTOR FLANGE MOUNTING	
DRAWN Cindy		DWG NO. ABI42A2-P0403500801	
CHECKED			SIZE A0
APPROVED		SCALE 1 : 1	REV 2.0