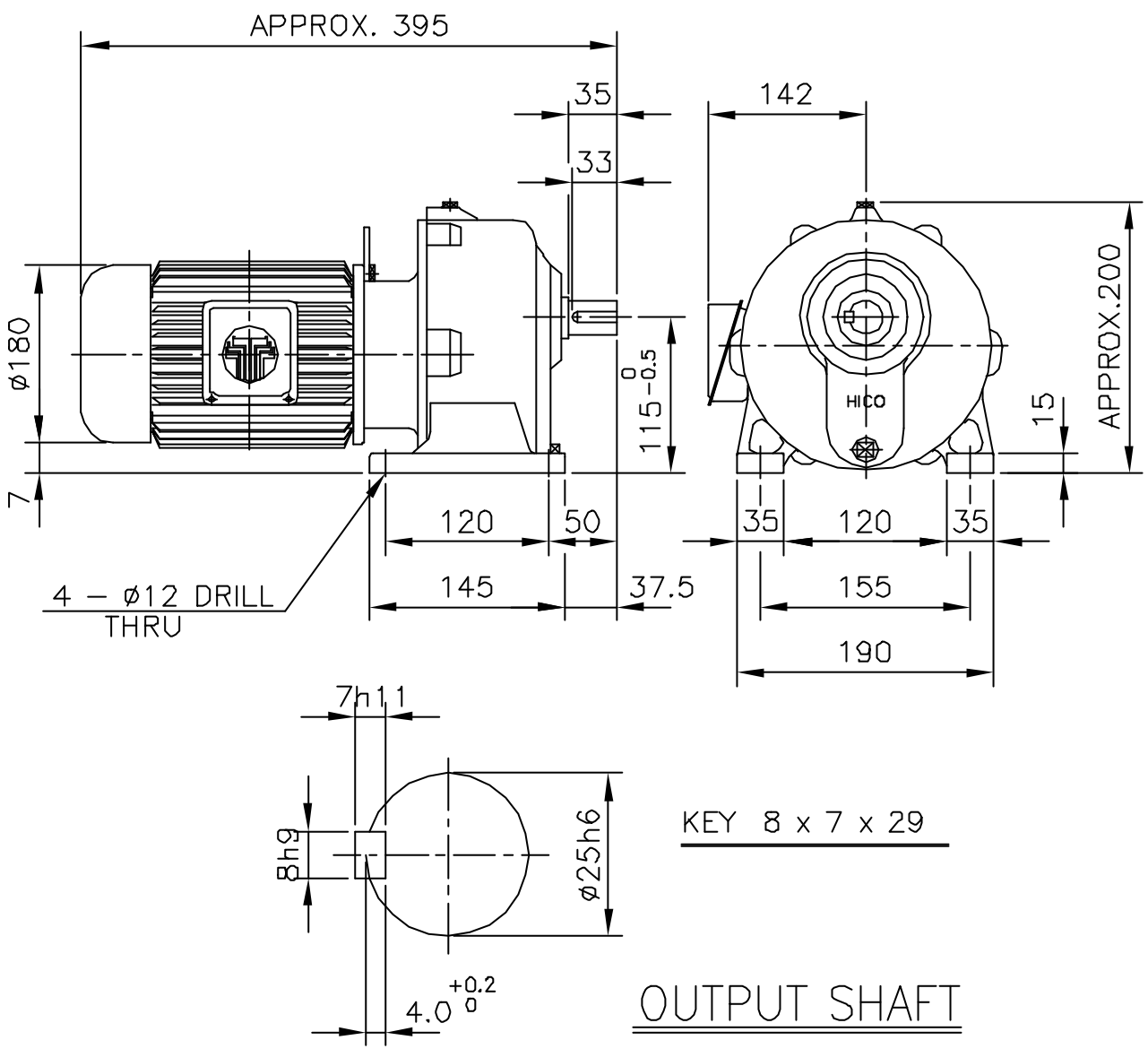


REV	DESCRIPTION	APPR	CHCK	DRWN	DATE
△					
△					
△					
△					



		BEARING		
OIL SEAL	6203ZZ	6205ZZ	GREASE : NLGI(EP)00	
D(M) 20 x 32 x 8	6302ZZ	6303ZZ	ABOUT 0.25 kg	
D(M) 30 x 42 x 8	6306ZZ	PM2015	WEIGHT 27 Kg	

TYPE				DWG. NAME			
FHB				OUTLINE DIMENSION			
1HP 4P 5~20							
APPROV	CHECK	DESIGN	DRAWN	THIRD ANGLE PROJECTION	SCALE	1/5	DATE 1988.09.
김동일	정영길	문병욱	홍원철				
96.12.26	96.12.26	96.12.24	96.12.23	REF DWG NO.	80		
HYOSUNG INDUSTRIES CO.,LTD.				DWG NO.	G K E N O O 1		