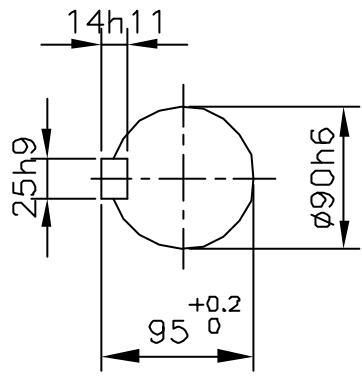
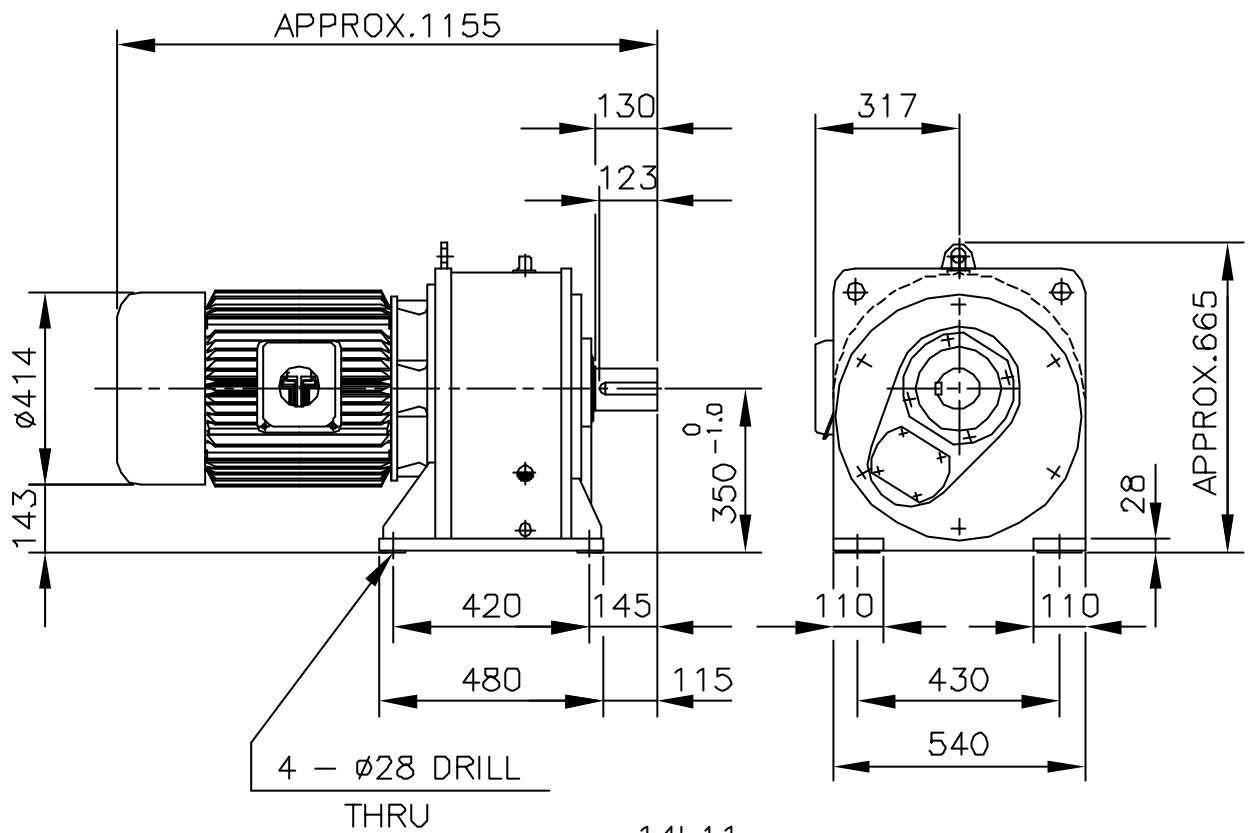


REV	DESCRIPTION	APPR	CHCK	DRWN	DATE
△					
△					
△					
△					



OUTPUT SHAFT
KEY 25 x 14 x 110

		BEARING			
	OIL SEAL	6212ZZ	6313ZZ	OIL : ISO VG 220	
	D(M) 55 x 78 x 12	30310	30212	ABOUT 15 l	
공용적용	D(M) 95 x 120 x 13	30214	30219	WEIGHT 600 Kg	

50HZ	TYPE				DWG. NAME			
37KW 4P	FHM 37KW 4P 5~20				OUTLINE DIMENSION			
60HZ	APPROV	CHECK	DESIGN	DRAWN	THIRD ANGLE PROJECTION	SCALE	1/16	DATE 2004.01.14
30KW 6P 37KW 4P	홍 원철 04.01.14		장 정구 04.01.14		REF DWG NO.	200L		
HYOSUNG CORPORATION					DWG NO.	G K E N 9 4 7		