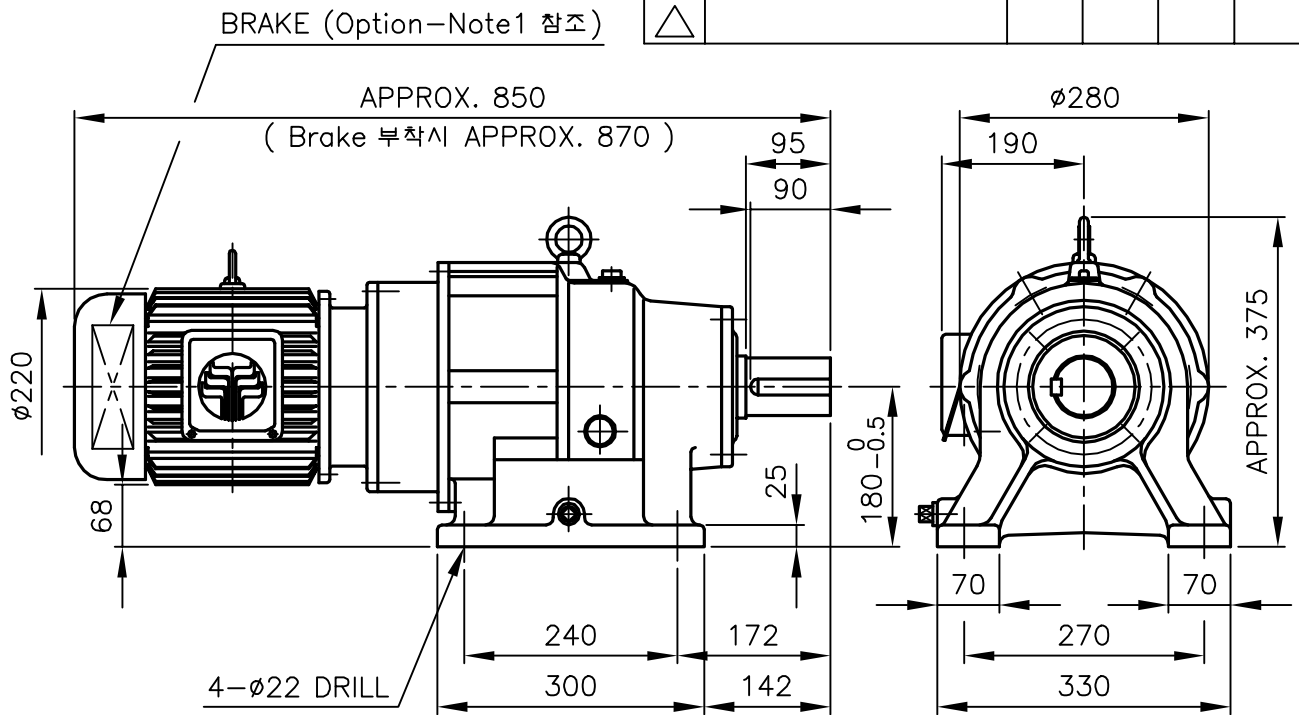


REV	DESCRIPTION	APPR	CHCK	DRWN	DATE
△					
△					
△					
△					



[NOTE] 1. Brake는 Option으로 구매자의 요구시에만 부착됩니다.
(Brake 사양 : DC Magnetic Disc Brake "B" Type)

		BEARING			
		#6205ZZ	#6306ZZ		
적용 사양	OIL SEAL	M/B20x30x20	M/B30x40x25	OIL :	ISO VG 220
[60Hz] 2HP 6P 1/100~1/120 3HP 4P 1/100~1/120	D(M) 25x38x8	M/B30x40x45		OIL QUANTITY : ABOUT 3.2 l	
	D(M) 70x95x13	#6214	#22214	WEIGHT : 150 Kg	
[50Hz] 3HP 4P 1/100	TYPE			DWG. NAME	
	PHM "E,F"			OUTLINE DIMENSIONS	
	APPROV	CHECK	DESIGN	THIRD ANGLE PROJECTION	SCALE 1/8.5
	H.Y.Lee	B.U.Moon	J.Y.Jung	MOTOR FRAME	100
HYOSUNG CORPORATION			DWG NO.	P K E N 3 1 3	
			DATE 1998.8.24		