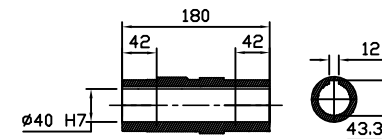
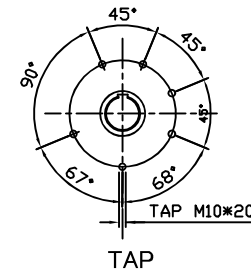
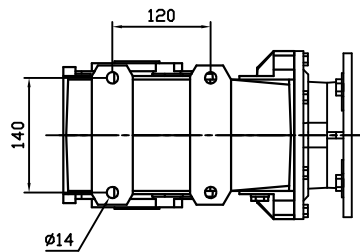
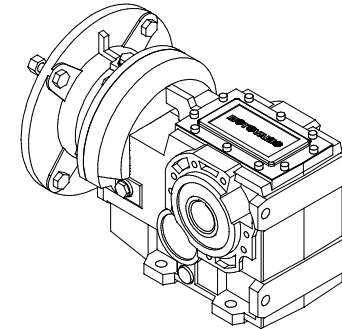
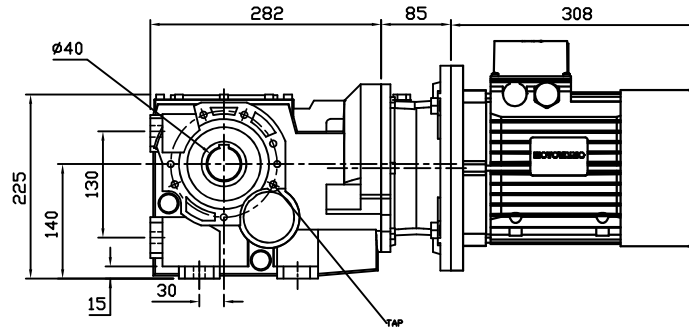
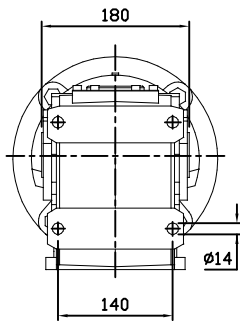


REDUCER SPEC	
MODEL	B083
SERVICE FACTOR	1.9
RATIO	39.6
OUTPUT [rpm]	44.2
OUTPUT TORQUE [Nm]	428
WEIGHT [kg]	31.3

MOTOR SPEC	
MODEL	TPA/112MR-220/380V
POWER [kW]	2.2
POLE, PHASE	4P, 3PHASE
INPUT [rpm]	1750
BRAKE	NO
WEIGHT [kg]	32



OUTPUT HOLLOW SHAFT

(주)한국제인모터

Tel. 032-815-8888 Fax. 815-8020
www.hcmfa.com

PROJECT		MOTOVARIO					
DRAWN	SEO Y.S	DATE		REV	A	SCALE	1:1
CHECKED	KIM J.S	DATE		UNIT	MM	PAGE	-
APPROVED	LEE J.Y	DATE					