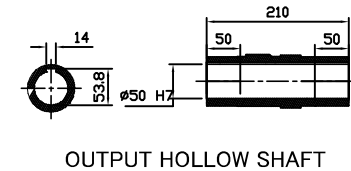
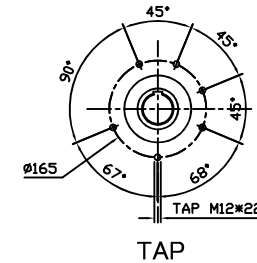
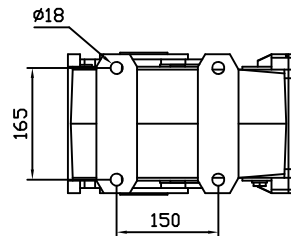
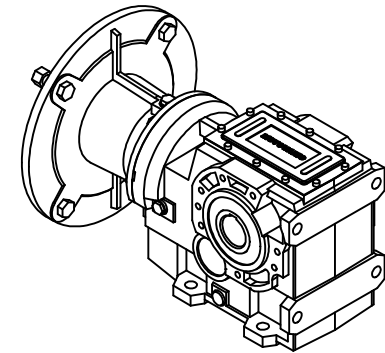
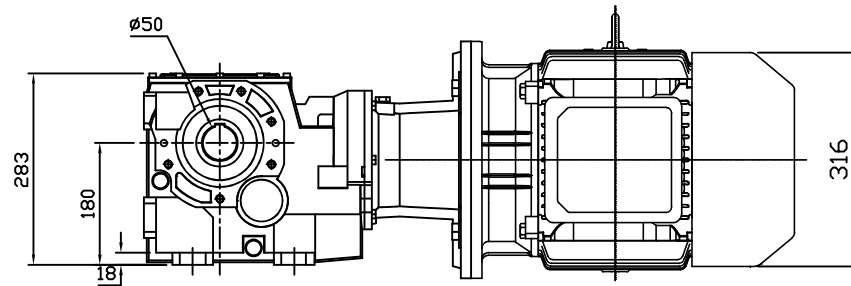
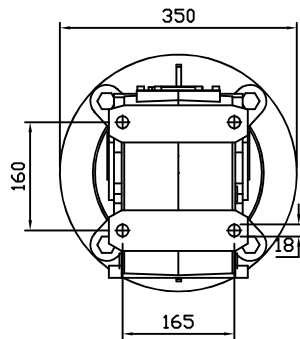
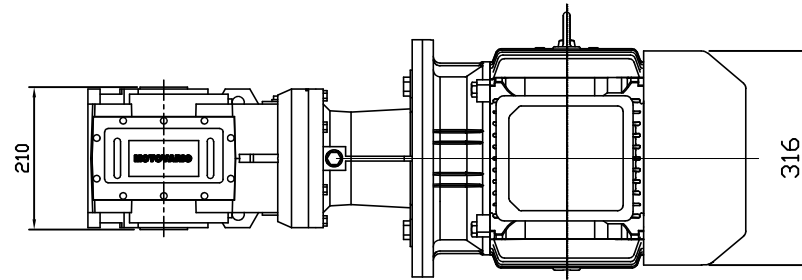


REDUCER SPEC	
MODEL	B103UC
INPUT DIMENSION	IEC 160B5
RATIO	8.13 - 30.55
OUTPUT [rpm]	
OUTPUT TORQUE [Nm]	
WEIGHT [kg]	66.2

MOTOR SPEC	
MODEL	TE-F 호성 IE3
POWER [kW]	11
POLE, PHASE	4P, 3PHASE
INPUT [rpm]	1750
BRAKE	NO
WEIGHT [kg]	165



PROJECT		MOTOVARIO					
DRAWN	SEO Y.S	DATE		REV	A	SCALE	1:1
CHECKED	KIM J.S	DATE		UNIT	MM	PAGE	-
APPROVED	LEE J.Y	DATE		