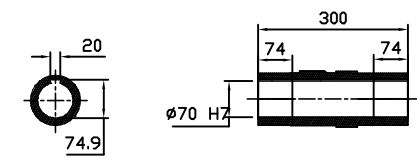
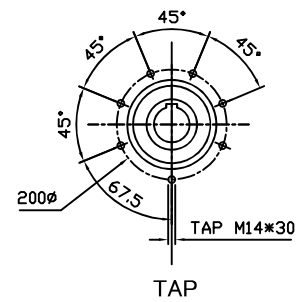
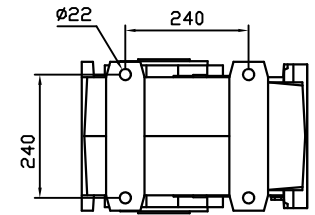
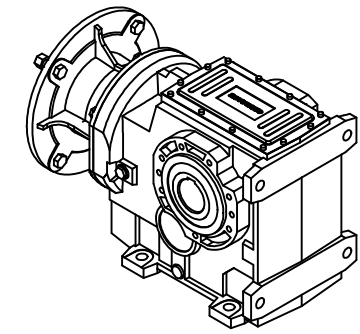
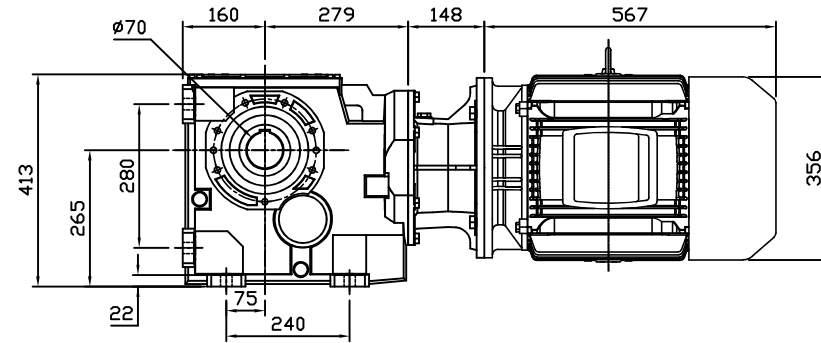
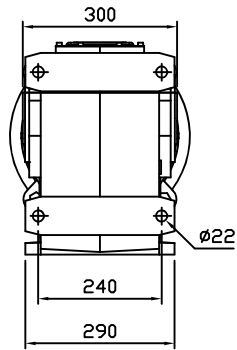


REDUCER SPEC	
MODEL	B143
SERVICE FACTOR	2.4
RATIO	10.84
OUTPUT [rpm]	161.4
OUTPUT TORQUE [Nm]	1171
WEIGHT [kg]	133

MOTOR SPEC	
MODEL	TE-F 호성 IE3
POWER [kW]	22
POLE, PHASE	4P, 3PHASE
INPUT [rpm]	1750
BRAKE	NO
WEIGHT [kg]	223



OUTPUT HOLLOW SHAFT

(주)한국세인모터
 Tel. 032-815-8888 Fax. 815-8020
 www.hcmfa.com

PROJECT		MOTOVARIO					
DRAWN	SED Y.S	DATE		REV	A	SCALE	1:1
CHECKED	KIM J.S	DATE		UNIT	MM	PAGE	-
APPROVED	LEE J.Y	DATE					