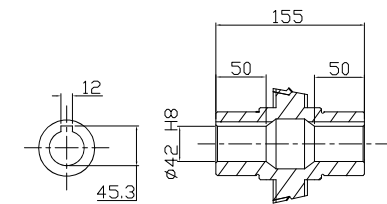
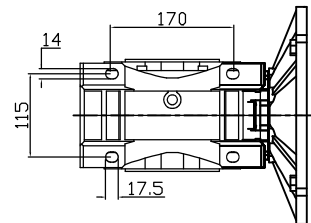
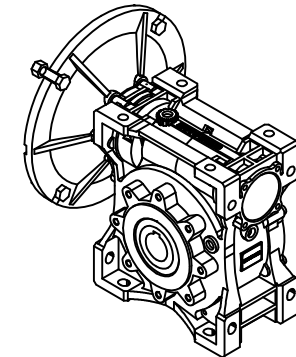
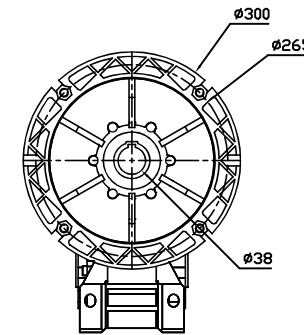
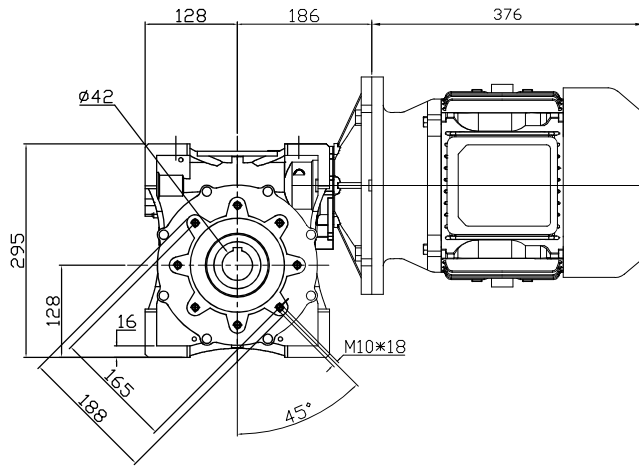
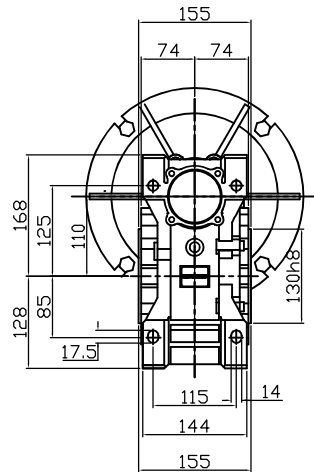


REDUCER SPEC	
MODEL	NMRV-P 110
SERVICE FACTOR	2.5
RATIO	7.5
OUTPUT [rpm]	233.3
OUTPUT TORQUE [Nm]	207
WEIGHT [kg]	21

MOTOR SPEC	
MODEL	TE-F 호성 IE3
POWER [kW]	5.5
POLE, PHASE	4P, 3PHASE
INPUT [rpm]	1750
BRAKE	NO
WEIGHT [kg]	97



OUTPUT HOLLOW SHAFT

**한국 (주)한국체인모터**

Tel. 032-815-8888 Fax. 815-8020  
www.hcmfa.com

PROJECT		MOTOVARIO					
DRAWN	SEO Y.S	DATE		REV	A	SCALE	1:1
CHECKED	KIM J.S	DATE		UNIT	MM	PAGE	-
APPROVED	LEE J.Y	DATE					