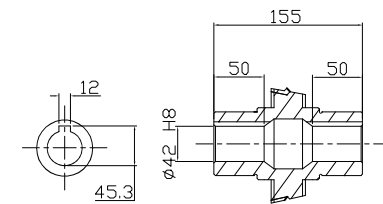
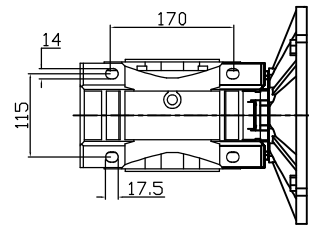
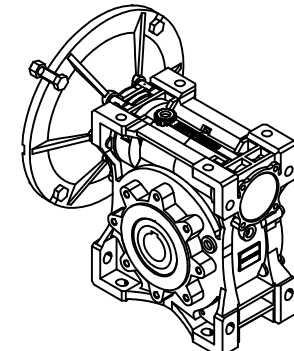
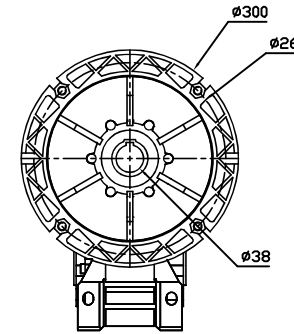
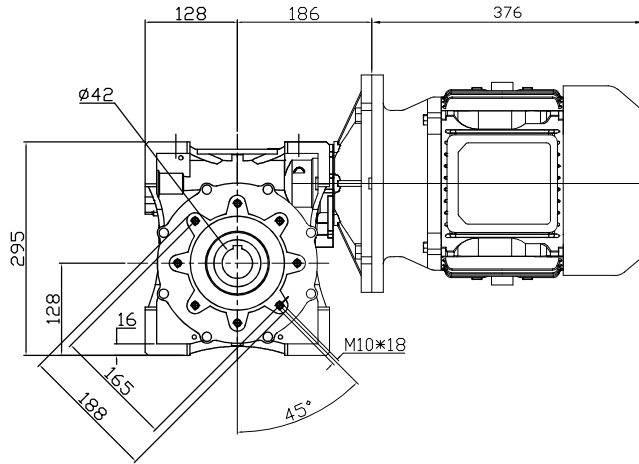
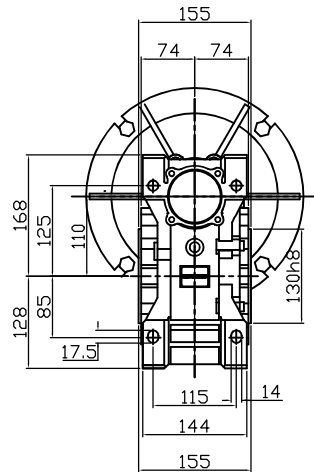


| | |
|--------------------|------------|
| REDUCER SPEC | |
| MODEL | NMRV-P 110 |
| SERVICE FACTOR | 1.2 |
| RATIO | 20 |
| OUTPUT [rpm] | 87.5 |
| OUTPUT TORQUE [Nm] | 529 |
| WEIGHT [kg] | 21 |

| | |
|-------------|-------------|
| MOTOR SPEC | |
| MODEL | TE-F 흥성 IE3 |
| POWER [kW] | 5.5 |
| POLE, PHASE | 4P, 3PHASE |
| INPUT [rpm] | 1750 |
| BRAKE | NO |
| WEIGHT [kg] | 97 |



OUTPUT HOLLOW SHAFT

한국 (주)한국체인모터

Tel. 032-815-8888 Fax. 815-8020
www.hcmfa.com

| | | | | | | | |
|----------|---------|-----------|--|------|----|-------|-----|
| PROJECT | | MOTOVARIO | | | | | |
| DRAWN | SEO Y.S | DATE | | REV | A | SCALE | 1:1 |
| CHECKED | KIM J.S | DATE | | UNIT | MM | PAGE | - |
| APPROVED | LEE J.Y | DATE | | | | | |