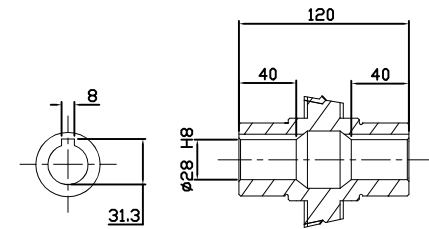
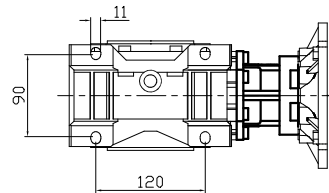
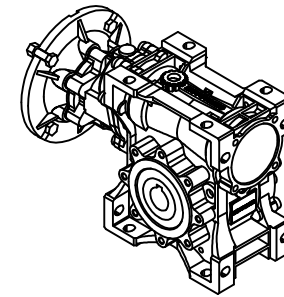
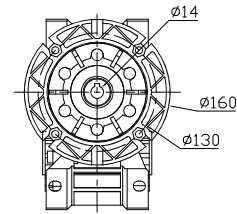
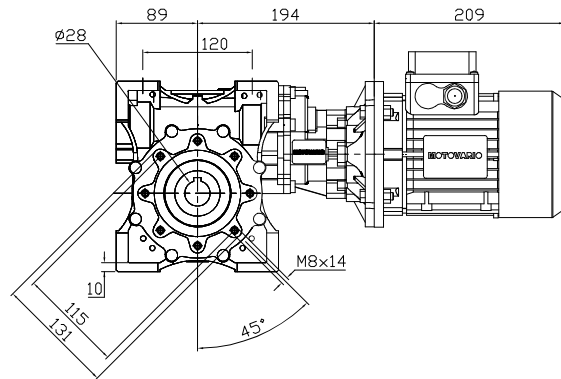
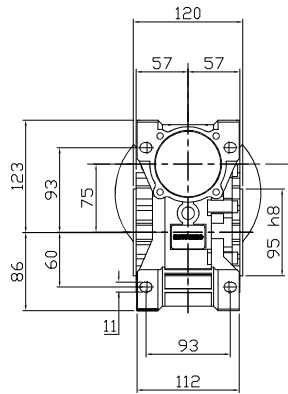


REDUCER SPEC	
MODEL	HW030+P075
SERVICE FACTOR	1.2
RATIO	315
OUTPUT [rpm]	5.3
OUTPUT TORQUE [Nm]	362
WEIGHT [kg]	10

MOTOR SPEC	
MODEL	TA/71B5-220/380V
POWER [kW]	0.37
POLE, PHASE	4P, 3PHASE
INPUT [rpm]	1670
BRAKE	NO
WEIGHT [kg]	5.9



OUTPUT HOLLOW SHAFT

(주)한국체인모터

Tel. 032-815-8888 Fax. 815-8020
www.hcmfa.com

PROJECT		MOTOVARIO					
DRAWN	SEO Y.S	DATE		REV	A	SCALE	1:1
CHECKED	KIM J.S	DATE		UNIT	MM	PAGE	-
APPROVED	LEE J.Y	DATE					