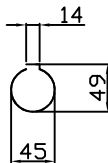
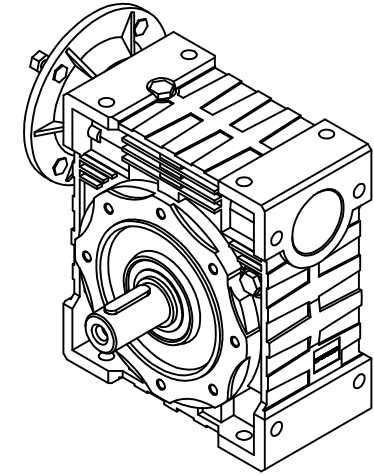
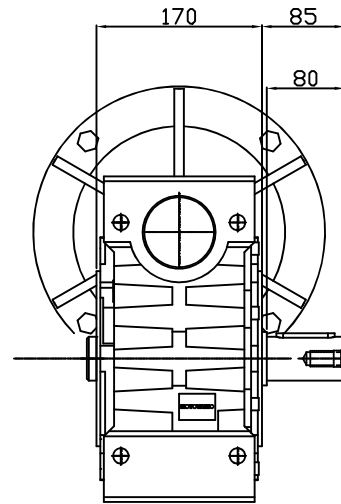
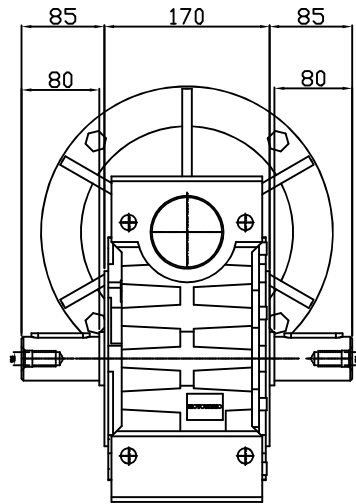
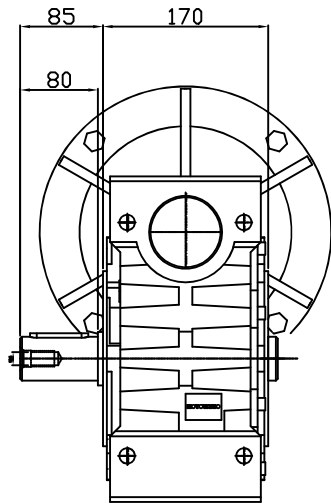


NO	DESCRIPTION	MATERIAL	SIZE, DWG. NO	Q'TY	WT. (KG)		REMARK
					UNIT	TOTAL	



(주)한국체인모터

Tel. 032-810-0702 Fax. 815-8123

CUSTOMER APPROVE		AMEND		PROJECT		MOTOVARIO							
MECHANICAL	ELECTRICAL	△				MODEL	OUTPUT SHAFT 130						
		△				MODEL NUMBER	WORM GEAR MOTOR						
		△				DRAWN	LEE M.P	DATE		REV	A	SCALE	NONE
		△				CHECKED	KIM J.S	DATE		UNIT	MM	PAGE	-
		NO	CONTENT	DATE	APPROVED	LEE J.Y	DATE						

