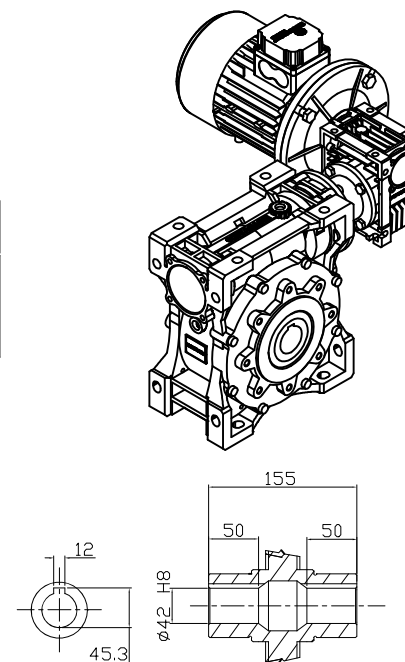
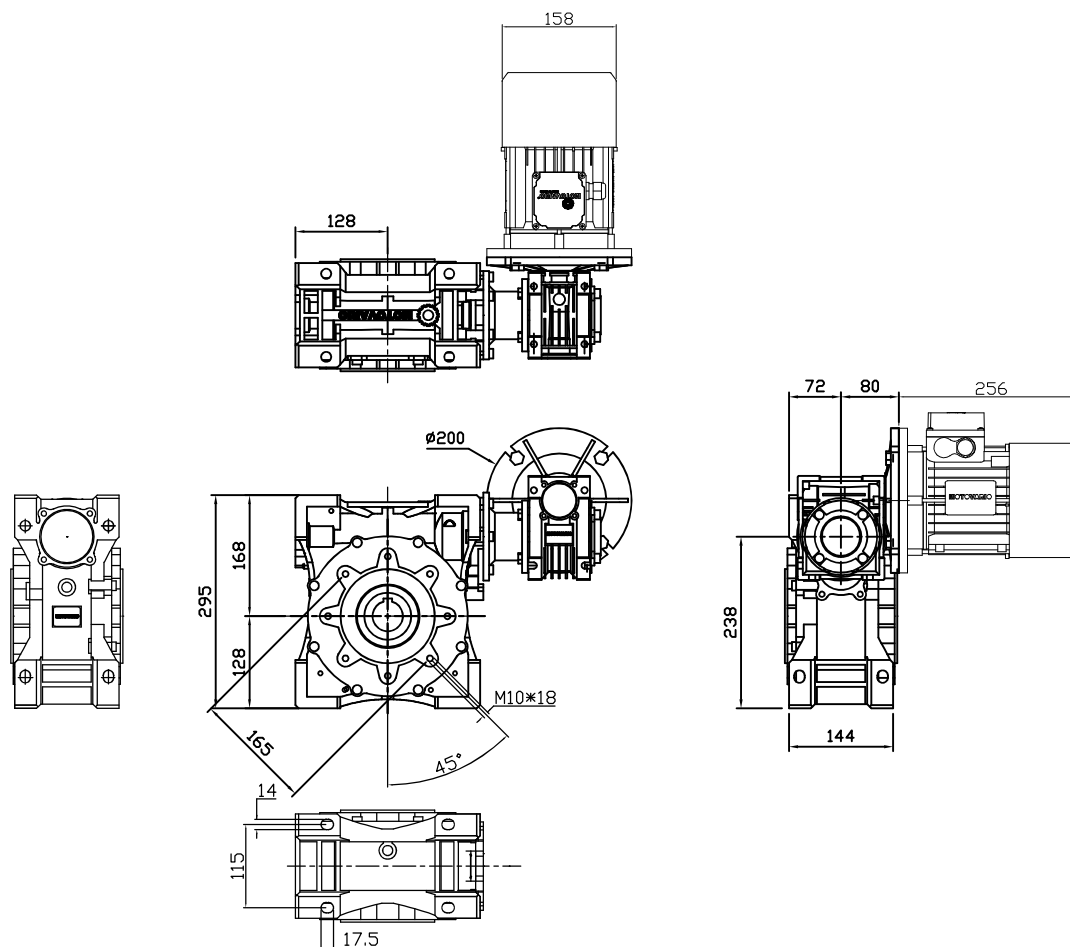


REDUCER SPEC	
MODEL	NMRV-P050/110
SERVICE FACTOR	2.1
RATIO	100
OUTPUT [rpm]	17.5
OUTPUT TORQUE [Nm]	292
WEIGHT [kg]	38.5

MOTOR SPEC	
MODEL	TPA/80B5 220/380V
POWER [kW]	0.75
POLE, PHASE	4P, 3PHASE
INPUT [rpm]	1750
BRAKE	NO
WEIGHT [kg]	13.2



OUTPUT HOLLOW SHAFT

 **(주)한국체인모터**

Tel. 032-815-8888 Fax. 815-8020
www.hcmfa.com

PROJECT		MOTOVARIO					
DRAWN	SEO Y.S	DATE		REV	A	SCALE	1:1
CHECKED	KIM J.S	DATE		UNIT	MM	PAGE	-
APPROVED	LEE J.Y	DATE		