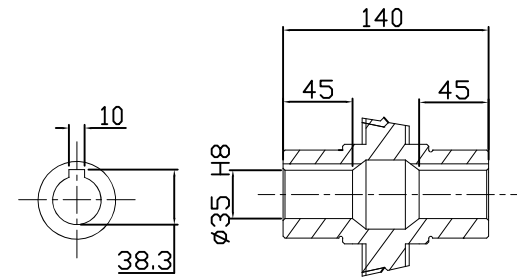
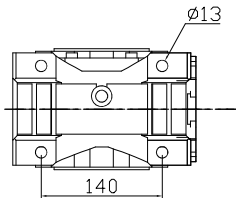
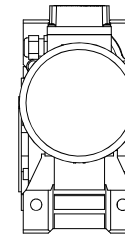
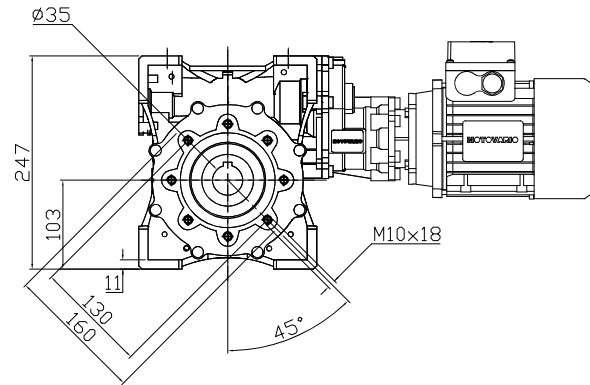
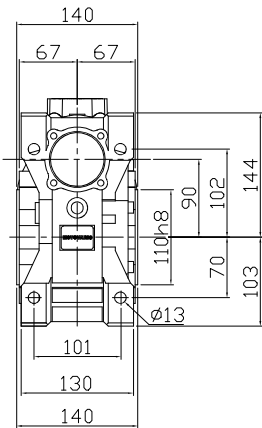
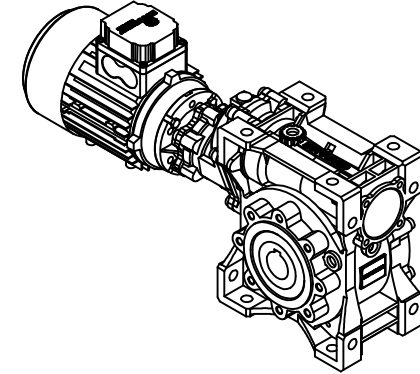
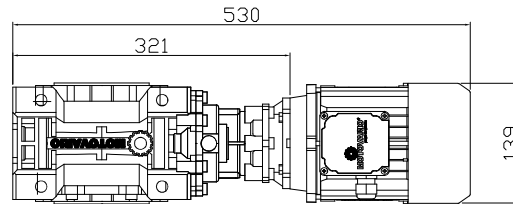


HW40-P090(B14) 0.55KW



OUTPUT HOLLOW SHAFT

**(주)한국체인모터**

Tel. 032-815-8888 Fax. 815-8020  
www.hcmfa.com

PROJECT			MOTOVARIO			
DRAWN	SEO Y.S	DATE	REV	A	SCALE	1:1
CHECKED	KIM J.S	DATE	UNIT	MM	PAGE	-
APPROVED	LEE J.Y	DATE	