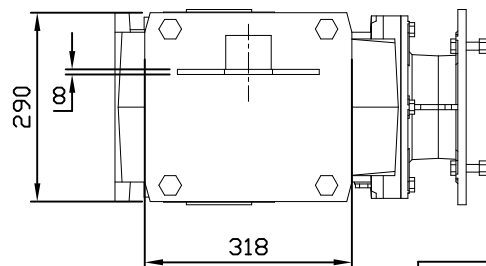
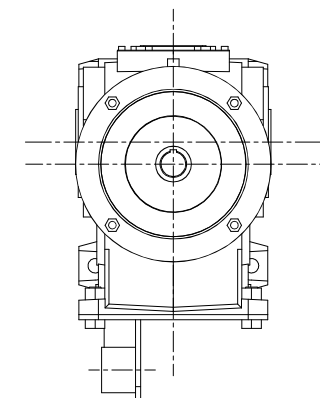
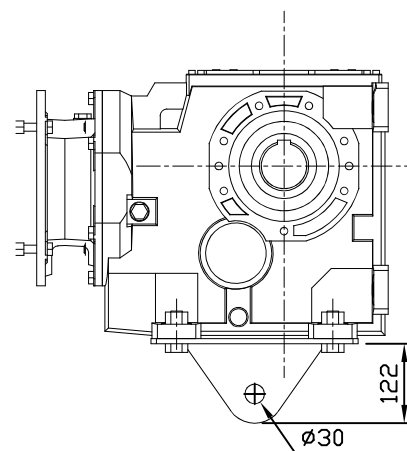
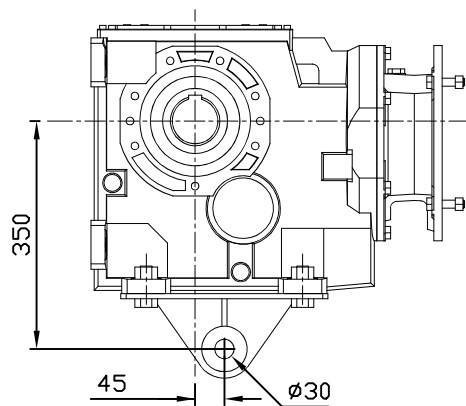
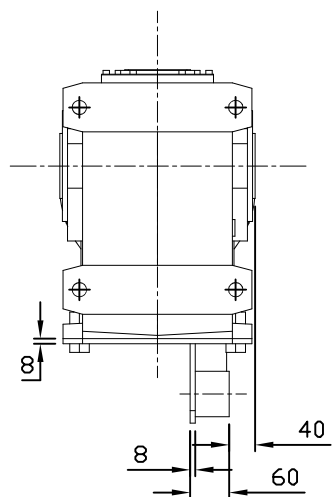
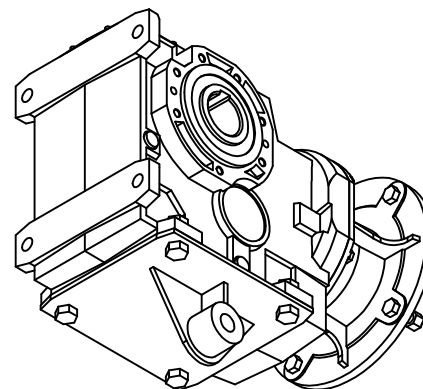
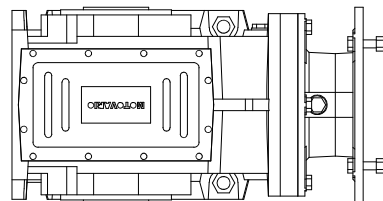


REDUCER SPEC	
MODEL	B143 TORQUE ARM
SERVICE FACTOR	
RATIO	
OUTPUT [rpm]	
OUTPUT TORQUE [Nm]	
WEIGHT [kg]	124



BCM (주)한국체인모터

Tel. 032-815-8888 Fax. 815-8020
www.bcmfo.com

PROJECT		MOTOVARIO					
DRAWN	SEO Y.S	DATE		REV	A	SCALE	1:1
CHECKED	KIM J.S	DATE		UNIT	MM	PAGE	-
APPROVED	LEE J.Y	DATE		